



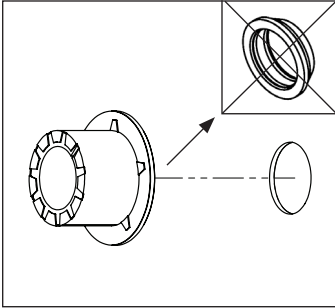
# MFCW

INSTALLATION INSTRUCTIONS  
**MFC50W-324W**  
 for GRE/GRP Pipes

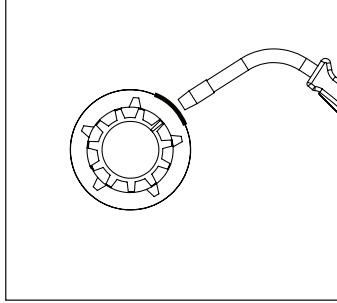


## BULKHEAD INSTALLATION

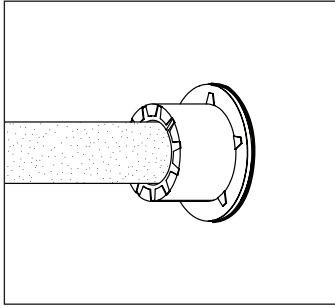
**STEP 1**



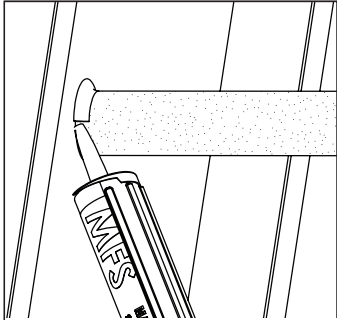
**STEP 2**



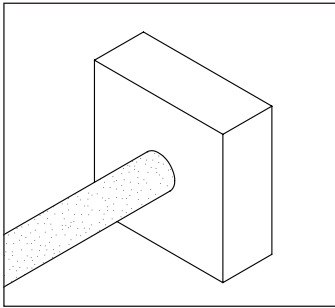
**STEP 3**



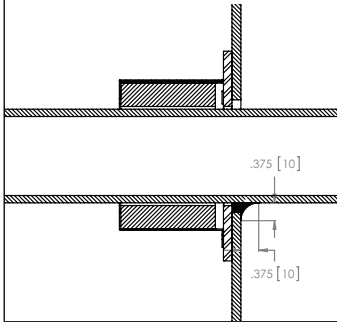
**STEP 4**



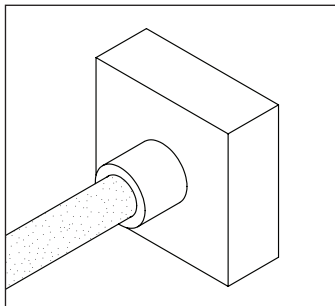
**STEP 5**



**DETAIL (STEP 4)**

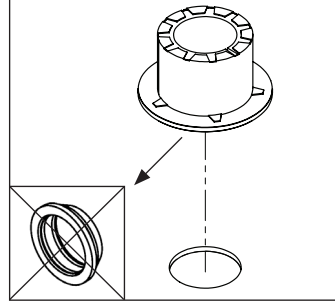


**STEP 6**

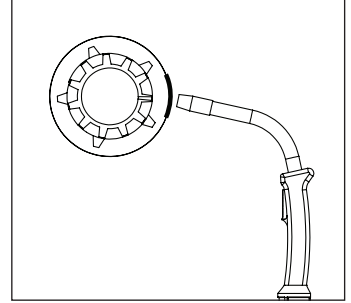


## DECK INSTALLATION

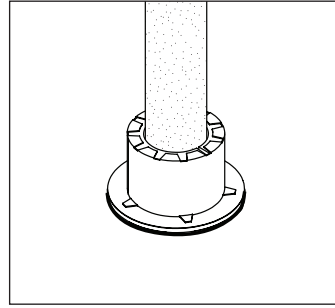
**STEP 1**



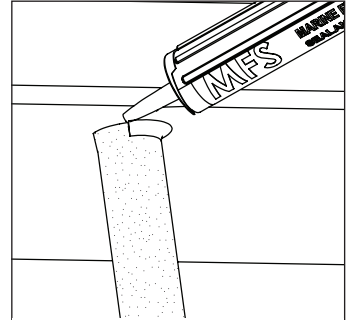
**STEP 2**



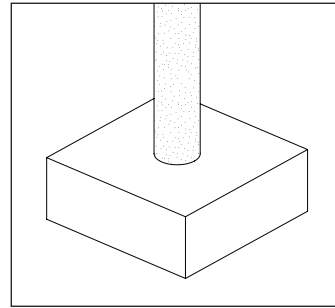
**STEP 3**



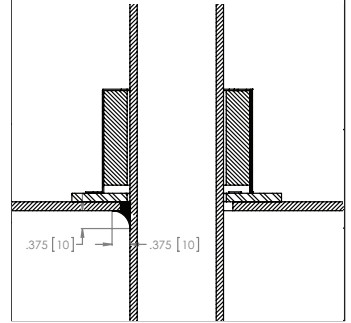
**STEP 4**



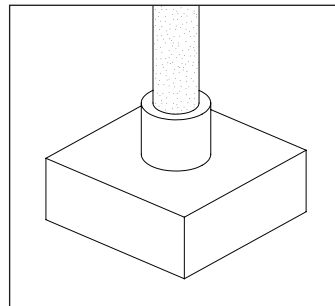
**STEP 5**



**DETAIL (STEP 4)**



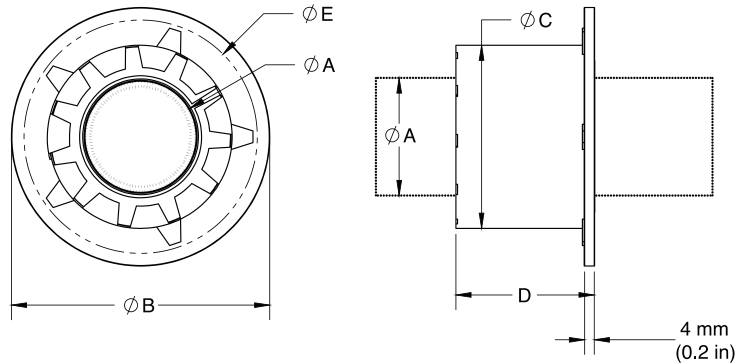
**STEP 6**





# MFCW

INSTALLATION INSTRUCTIONS  
**MFC50W-324W**  
 for GRE/GRP Pipes



	A		B		C		D		E	
	mm	in	mm	in	mm	in	mm	in	mm	in
MFC50W	40-50	1.6-2.0	112	4.4	81	3.2	60	2.4	90	3.5
MFC60W	50-60	2.0-2.4	121	4.8	95	3.7	60	2.4	100	3.9
MFC63W	53-63	2.1-2.5	130	5.1	100	3.9	60	2.4	103	4.1
MFC75W	65-75	2.6-3.0	142	5.6	112	4.4	60	2.4	115	4.5
MFC90W	80-90	3.1-3.5	165	6.5	124	4.9	60	2.4	130	5.1
MFC110W	100-110	3.9-4.3	183	7.2	13	5.6	60	2.4	150	5.9
MFC115W	105-115	4.1-4.5	186	7.3	148	5.8	60	2.4	165	6.5
MFC125W	115-125	4.5-4.9	202	8.0	161	6.3	116	4.6	175	6.9
MFC140W	130-140	5.1-5.5	218	8.6	175	6.9	116	4.6	190	7.5
MFC160W	150-160	5.9-6.3	245	9.6	196	7.7	116	4.6	210	8.3
MFC169W	159-169	6.3-6.7	275	10.8	200	7.9	116	4.6	220	8.7
MFC200W	190-200	7.5-7.9	315	12.4	249	9.8	140	5.5	250	9.8
MFC219W	209-219	8.2-8.6	345	13.6	263	10.4	140	5.5	270	10.6
MFC225W	215-225	8.5-8.9	350	13.8	271	10.7	140	5.5	275	10.8
MFC273W	263-273	10.4-10.7	400	15.7	316	12.4	140	5.5	323	12.7
MFC324W	314-324	12.4-12.8	450	17.7	368	14.5	140	5.5	370	14.6

Max diameter of pipe shown. • Diamètre du tube représenté. • Diámetro máximo del tubo de muestra.

**LIMITED WARRANTY:** STI warrants that its products will be free of defects for one year from the date of purchase. In the event a product does not conform to this warranty, the sole and exclusive remedy is, at STI's option, replacement of the product or refund of the purchase price. The warranty provided herein shall be void and of no effect in the event that the product is not installed in accordance with STI's published instructions, listed systems and applicable building and safety codes. THIS WARRANTY IS IN LIEU OF ALL OTHER REPRESENTATIONS AND EXPRESSED OR IMPLIED WARRANTIES (including the implied warranties of merchantability or fitness for a particular use) AND UNDER NO CIRCUMSTANCES SHALL STI BE LIABLE FOR ANY DIRECT, INDIRECT, SPECIAL, INCIDENTAL OR CONSEQUENTIAL DAMAGES OR LOSSES, INCLUDING, WITHOUT LIMITATION, ANY LOSS OF REVENUE, PROFIT OR USE. Prior to use, the user shall determine the suitability of the product for its intended use, and the user assumes all risks and liability for subsequent use. No person other than an officer of STI is authorized to bind STI to any other warranty for any product for which this warranty is issued.

COPYRIGHT © 2016 SPECIFIED TECHNOLOGIES INC.

Somerville, NJ 08876 USA  
 US Toll Free: (800) 992-1180  
 Outside US: + 1 908 526 8000  
 STIMARINE.COM • ZIS1217 0366

