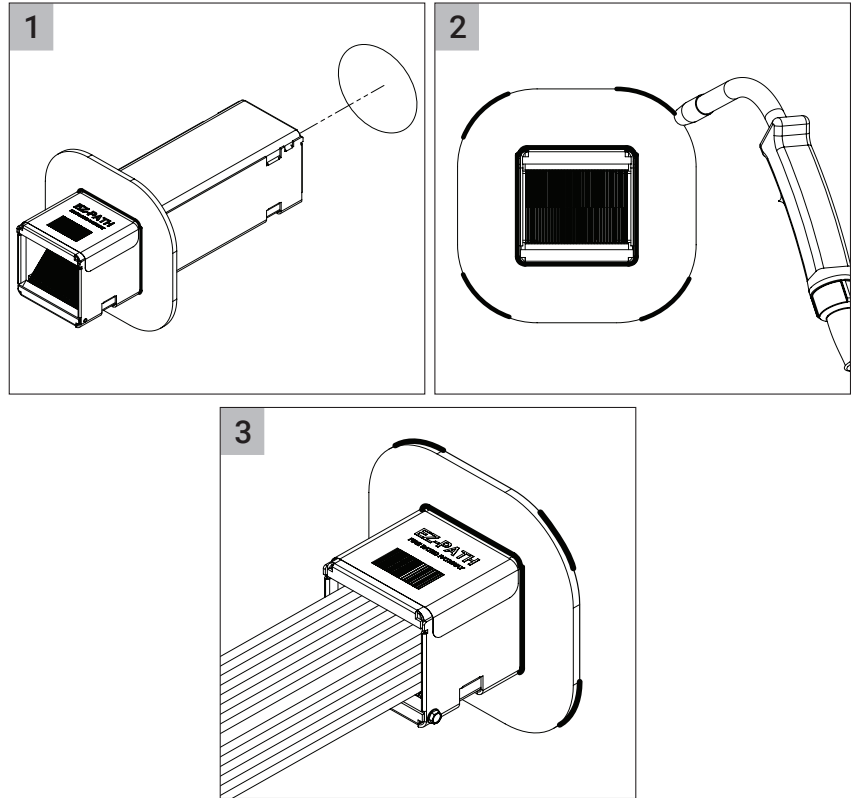
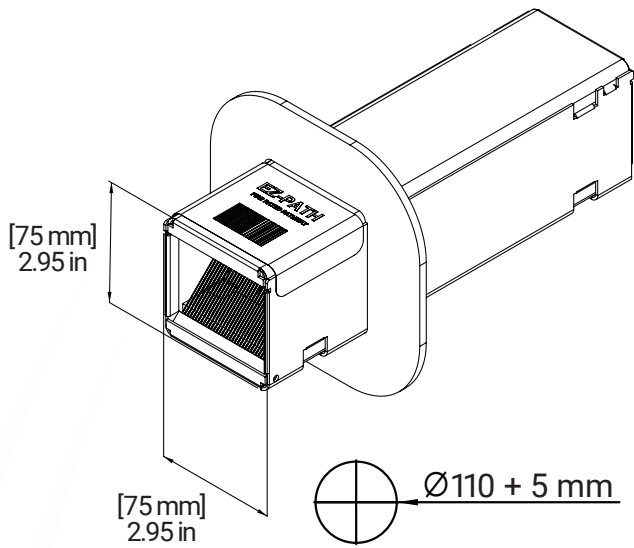
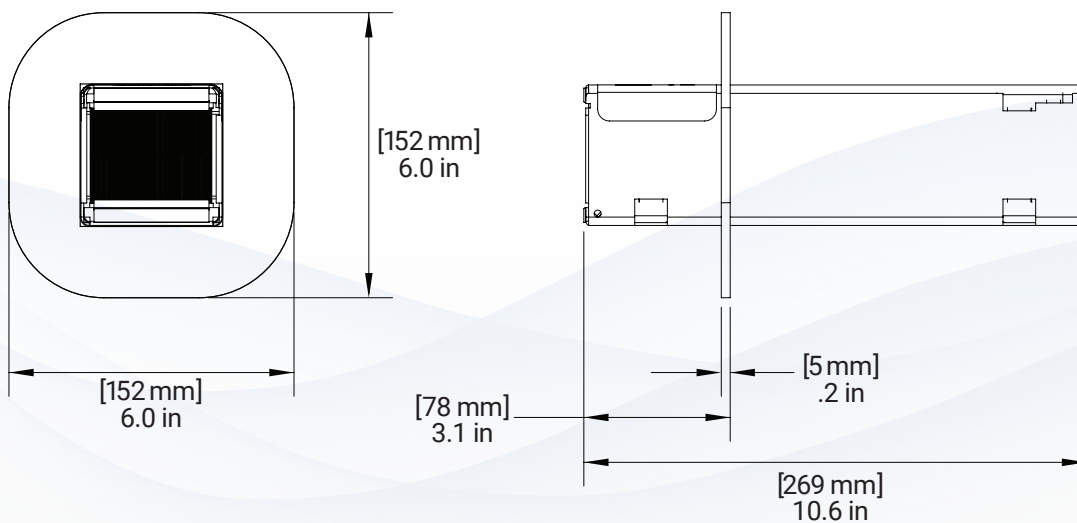


MDM300A Fire-Rated Cable Transit

MDM300A Solid Plate - Deck or Bulkhead Installation



MDM300A Solid Plate - Transit Dimensions



Note: Please refer to Type Approval Certificates for insulation requirements.

