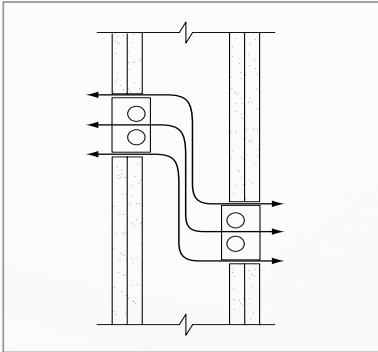
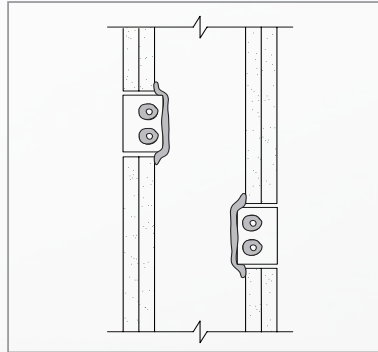


MPU Marine Firestop Putty

EXAMPLE OF MAINTAINING STC VALUES OF WALL AND CREATING AN EFFECTIVE SOUND BARRIER:



Arrows show path of sound travel



Putty pad reduces sound transmission by blocking path of sound travel.

MAINTENANCE:

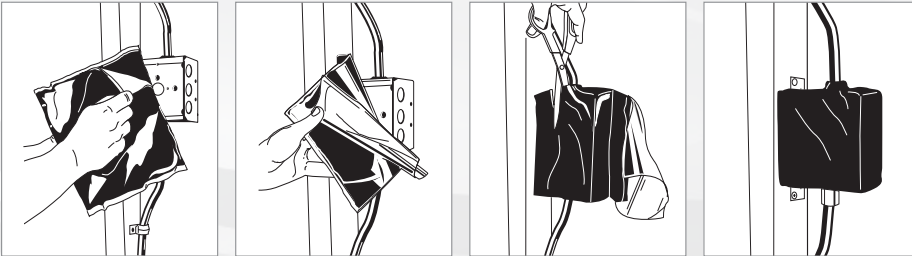
This product is maintenance free. Observed damage can be repaired with MPU Putty per the original approved design.

WARRANTY INFORMATION:

www.stimarine.com/legal/warranty

MADE IN THE USA – COPYRIGHT © 2017 STI MARINE FIRESTOP, A DIVISION OF SPECIFIED TECHNOLOGIES INC.

INSTALLATION OF PUTTY PADS ON ELECTRICAL BOXES (MAINTAINING STC VALUES)



Remove poly liner from one side of pad (Step 1). Align pad to the side of box partially overlapping the stud and adhere. Working to the opposite side of the box to the edges (Step 2). If wall membrane is in place, pack putty into gaps between box and gypsum board slightly overlapping inner wallboard surface. If membrane is to be installed after pad installation, overlap front edge of box so that putty will be compressed around edges of box as wallboard is installed. Cut slits in pad to fit around conduits or cables (Step 3). Press pad to surface of top, bottom, and sides of box (Step 4). Trim excess at corners and apply to conduit fittings connected to the box. Optionally, putty may be packed into inside of conduit fittings to prevent passage of smoke. NOTE: One side of release liner may remain on pad.

ORDERING INFORMATION:

UPC# 730573	CAT NO.	DESCRIPTION	CASE QTY
42101	MPU28	25 cu. in. (410mL) putty bar	25
42107	MPU52	Seven (7) 25 mm (1") diam. by 2.3 m (7.5') putty coils in re-sealable plastic pail	NA
42108	MPU77	184 x 184 x 5 mm (7.25" x 7.25" x 3/16") pad	20
42109	MPU99	229 x 229 x 5 mm (9.00" x 9.00" x 3/16") pad	20