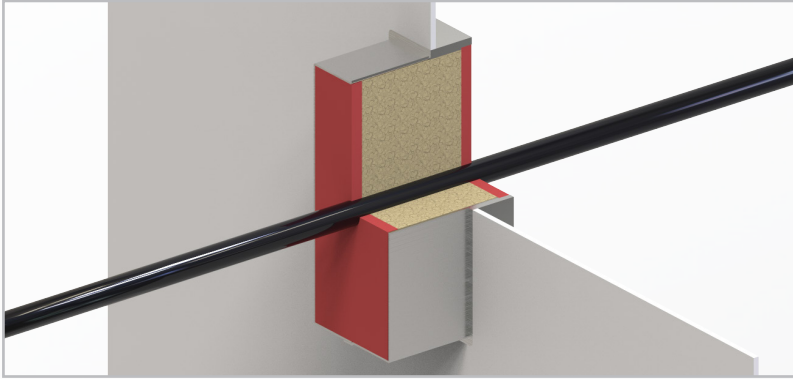




Retrofit Sleeve

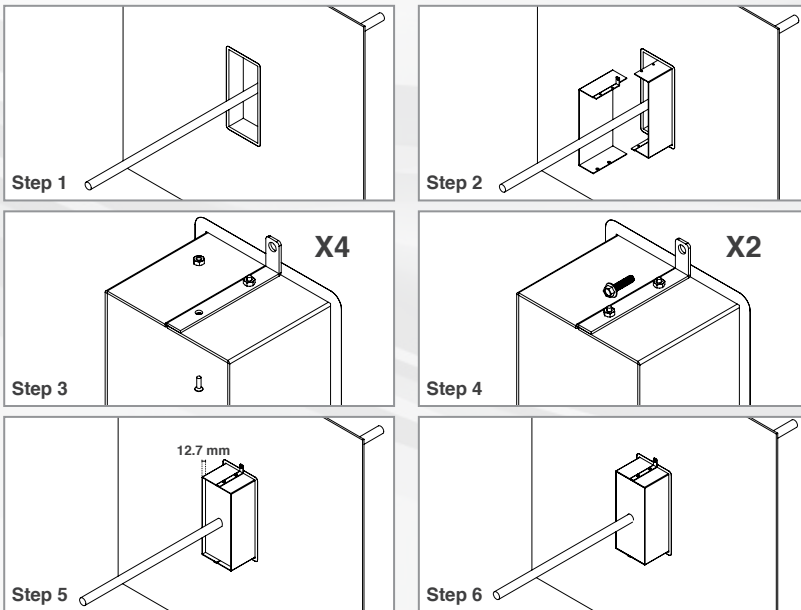


INSTALLATION INSTRUCTIONS:

General Notes: Read Safety Data Sheets (SDS) and product label for safe handling. Refer to installation instructions and approved design for additional information.

- Step 1:** Remove all blocks from transit frame. All surfaces shall be clean, sound, dry, frost-free, and free of bond-breaking contaminants and loose material.
- Step 2:** Insert Retrofit Sleeve halves as into transit frame.
- Step 3:** Fasten sleeve halves together using provided screws and nuts.
- Step 4:** Attach assembled sleeve to steel division using two screws or tack welds.
- Step 5:** Install and center MPACT® Filler Blanket.
- Step 6:** Install 12.7 mm thickness of MFS Marine Firestop Sealant on both ends.

Note: For gas and water tightness, maintain a min. 6 mm spacing and apply a bead of MFS Firestop Sealant over all outer seams between the steel frame and Retrofit Sleeve and between sleeve halves. Refer to approval for additional information.



MAINTENANCE & WARRANTY INFORMATION:

Maintenance free. Observed damage can be repaired per the original approved design.

www.stimarine.com/legal/warranty

Two-piece steel shell allows for retrofit of block-and-frame transit systems where sealing blocks have been removed. The steel shell is inserted into the existing transit frame and filled with MPACT® Filler Blanket and MFS Marine Firestop Sealant to restore non-compliant penetration seals.

PRODUCT FEATURES:

- Fits into existing #6 and #8 Frames
- Quick and Easy to Install
- Two-piece design accommodates existing cables
- Tested to 2010 IMO FTP, Annex 1, Part 3 (Class A-0 through A-60 divisions Bulkheads and Decks)
- Provides Water and Gas-Tightness

PHYSICAL PROPERTIES:

Physical Properties:	Value
Shell Construction:	Pre-galvanized steel shell
Shelf Life:	No limit
Weight: MMR600	1.81 kg (4 lbs.)
Weight: MMR800	2.07 kg (4.58 lbs.)

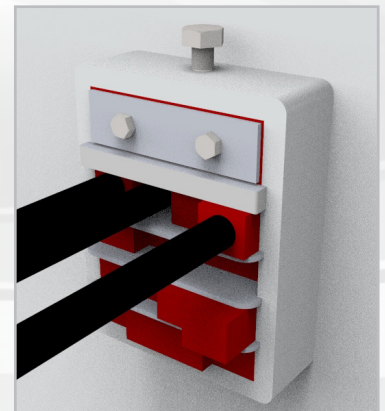
ORDERING INFORMATION:

UPC #730573	CAT NO.	DESCRIPTION	CASE QTY	WEIGHT
44008	MMR600	MPACT® Marine Retrofit Sleeve - #6 Frames	6	10.89 kg (24 lb)
44009	MMR800	MPACT® Marine Retrofit Sleeve - #8 Frames	6	12.47 kg (27.5 lb)

THIRD PARTY APPROVAL:



Issues with block and frame transit systems generally relate to ongoing maintenance over time, due to the complicated block arrangement and cable layout. Addition and removal of cables can result in blocks being improperly reinstalled, and in some cases, not reinstalled at all.



MADE IN THE USA
 COPYRIGHT © 2018 STI MARINE FIRESTOP — DIVISION OF SPECIFIED TECHNOLOGIES INC.