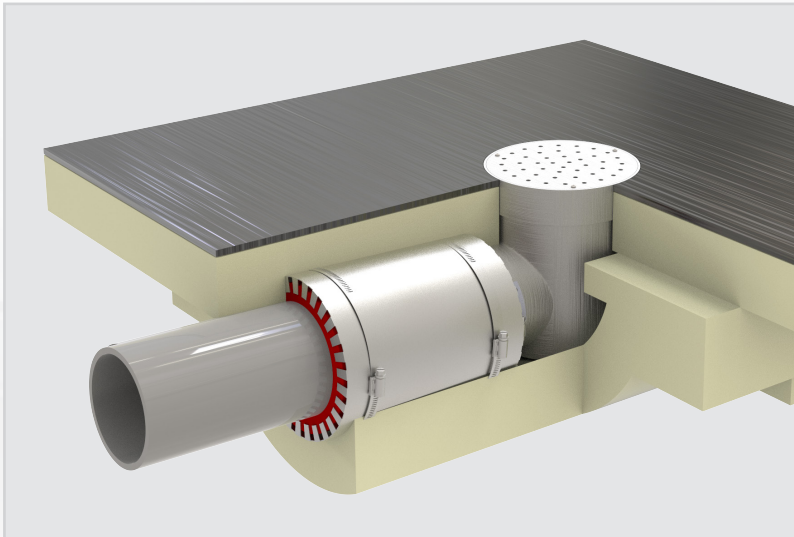


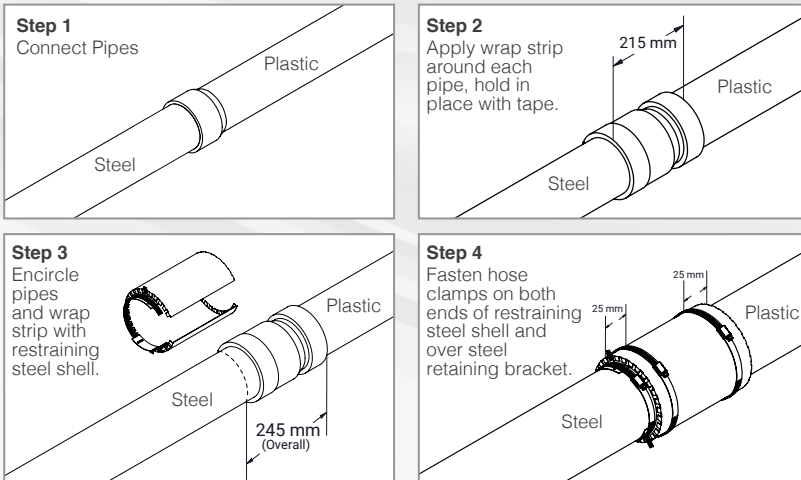
MFC-T Marine Transition Collar

Adjustable firestop device for protection of transitions between metal and plastic pipes in fire-rated divisions, including scupper connections. Each device accommodates a range of different pipe sizes, thereby providing flexibility and fewer part numbers to inventory.



INSTALLATION INSTRUCTIONS:

General Notes: Read Safety Data Sheets (SDS) and product label for safe handling.



WARRANTY INFORMATION:

www.stimarine.com/legal/warranty

COPYRIGHT © 2018 STI MARINE FIRESTOP — A DIVISION OF SPECIFIED TECHNOLOGIES INC.

PRODUCT FEATURES:

- Tested to IMO FTP Code 2010, Part 3 Class A-0 to A-60 (Decks)
- Adjusts to a range of pipe sizes
- Fits standard 40 mm* to 115 mm** pipe sizes
- Durable pre-galvanized steel construction
- Resistant to aging and weathering (no soluble or hygroscopic ingredients)
- Designed for high volume of char and rapid expansion

* MFC63T 40 mm to 63 mm **MFC115T 75 mm to 115 mm

PHYSICAL PROPERTIES:

Physial Properties:	Value
Collar Construction:	Pre-Galvanized Steel Collar Stainless Steel Hose Clamps Wrap Strip
Shelf Life:	No limit

Marine Wrap Strip

Property – As Supplied	Value
Color:	Red
Thickness:	6 mm
Expansion Begins:	160°C (320°F)
Volume Expansion	30 to 60x
In Service Temperature	Less Than 54°C (129.2°F)
Storage Temperature:	Less Than 49°C (120.2°F)
Shelf Life:	No Limit

ORDERING INFORMATION:

UPC #730573	CAT NO.	DESCRIPTION	CASE QTY	WEIGHT
43920	MFC63T	40 to 63 mm Marine Transition Firestop Collar	1	1.08 kg (2.38 lbs)
43921	MFC115T	75 to 115 mm Marine Transition Firestop Collar	1	1.83 kg (4.04 lbs)

MAINTENANCE:

Maintenance free. Observed damage can be repaired per the original approved design.

THIRD PARTY APPROVAL:



Lloyd's Register Marine

MADE IN THE USA