

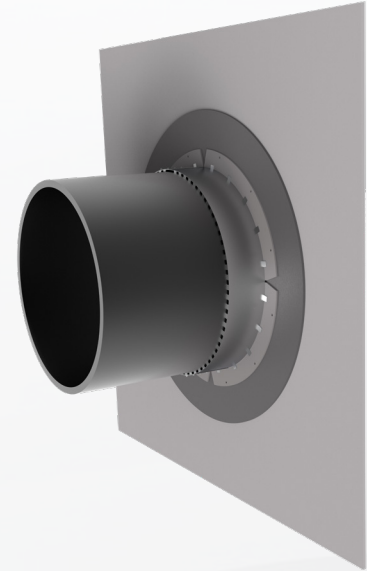


**MFC-G Large Diameter GRE/GRP Firestop Collar**

*Factory-manufactured, intumescent device for use as a penetration seal in fire-rated bulkheads and decks*

**PRODUCT FEATURES:**

- Tested to 2010 IMO FTP Code, Annex 1, Part 3 (Class A-0 through A-60 Bulkheads and Decks)
- Fits most pipe sizes from 302 mm to 746 mm
- Provides watertightness up to 4 bar and gastightness up to 1 bar, when sealed with MFS sealant
- Rapid intumescent expansion under fire conditions quickly seals off the path for fire, gases, and smoke
- Stainless steel body with mild steel flange for weld-attachment or steel screws
- Flexible intumescent liner accommodates vibration and will not damage pipe
- Resistant to aging and weathering



**ORDERING INFORMATION:**

Marine Fire Rated Pathways are available from STI Marine Distributors. Contact regional STI office for more information.

UPC# 730573	CAT NO.	DESCRIPTION	CASE QTY	WEIGHT
43919	MFC300G	300 mm Marine Firestop Collar for Large Diameter GRE/GRP Pipe	1	7.17 kg (15.80 lbs)
43913	MFC350G	350 mm Marine Firestop Collar for Large Diameter GRE/GRP Pipe	1	7.94 kg (17.50 lbs)
43914	MFC400G	400 mm Marine Firestop Collar for Large Diameter GRE/GRP Pipe	1	7.94 kg (17.50 lbs)
43915	MFC450G	450 mm Marine Firestop Collar for Large Diameter GRE/GRP Pipe	1	10.12 kg (22.30 lbs)
43916	MFC500G	500 mm Marine Firestop Collar for Large Diameter GRE/GRP Pipe	1	10.66 kg (23.50 lbs)
43917	MFC600G	600 mm Marine Firestop Collar for Large Diameter GRE/GRP Pipe	1	11.79 kg (26.00 lbs)
43918	MFC700G	700 mm Marine Firestop Collar for Large Diameter GRE/GRP Pipe	1	13.61 kg (30.00 lbs)

**THIRD PARTY APPROVALS:**



**PHYSICAL PROPERTIES:**

Property – As Supplied:	Value
<b>Collar Construction:</b>	Stainless steel shell with nominal 50 ksi ABS® approved mild steel flange
<b>Expansion Begins:</b>	160°C (320°F)
<b>Expansion Volume:</b>	32 to 64 times
<b>Shelf Life:</b>	No limit

**MAINTENANCE:**

Maintenance free. Observed damage can be repaired per the original approved design.

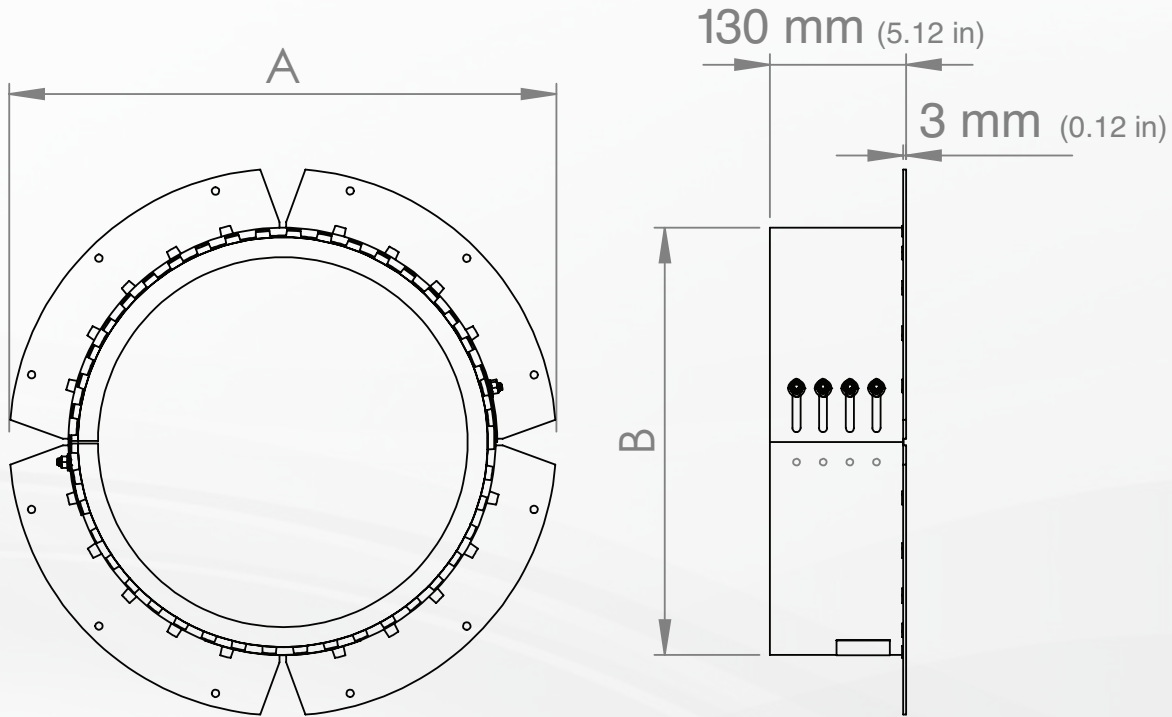
**WARRANTY INFORMATION:**

[www.stimarine.com/legal/warranty](http://www.stimarine.com/legal/warranty)

MADE IN THE USA – COPYRIGHT © 2018 STI MARINE FIRESTOP, A DIVISION OF SPECIFIED TECHNOLOGIES INC.

**MFC-G Large Diameter GRE/GRP Firestop Collar**

**COLLAR DIMENSIONS:**



Suggested opening size is max 10 mm larger than OD of pipe

Min 4.5 mm thick steel doubler plate required when bulkhead or deck stiffeners are cut. Doubler plate OD to be min 275mm larger than pipe OD. Overlap between doubler plate and division shall be min 50 mm around entire perimeter of opening. Doubler plate centered over opening and continuously welded to non-insulated side of division.

CAT NO.		COLLAR DIMENSIONS		PIPE DIMENSIONS	
Cat #	Doubler Plate	A Min	B Min	Min Pipe	Max Pipe
MFC300G	Optional	471 mm (18.6 in)	357 mm (14.1 in)	302 mm (11.9 in)	360 mm (14.2 in)
MFC350G	Optional	522 mm (20.6 in)	408 mm (16.1 in)	354 mm (13.9 in)	402 mm (15.8 in)
MFC400G	Optional	572 mm (22.6 in)	458 mm (18.1 in)	402 mm (15.8 in)	456 mm (18.0 in)
MFC450G	Optional	620 mm (24.4 in)	506 mm (19.9 in)	456 mm (18.0 in)	501 mm (19.7 in)
MFC500G	Required	671 mm (26.4 in)	557 mm (21.9 in)	501 mm (19.7 in)	555 mm (21.9 in)
MFC600G	Required	772 mm (30.4 in)	658 mm (25.9 in)	608 mm (23.9 in)	665 mm (26.2 in)
MFC700G	Required	877 mm (34.5 in)	762 mm (30.0 in)	710 mm (28 in)	746 mm (29.4 in)