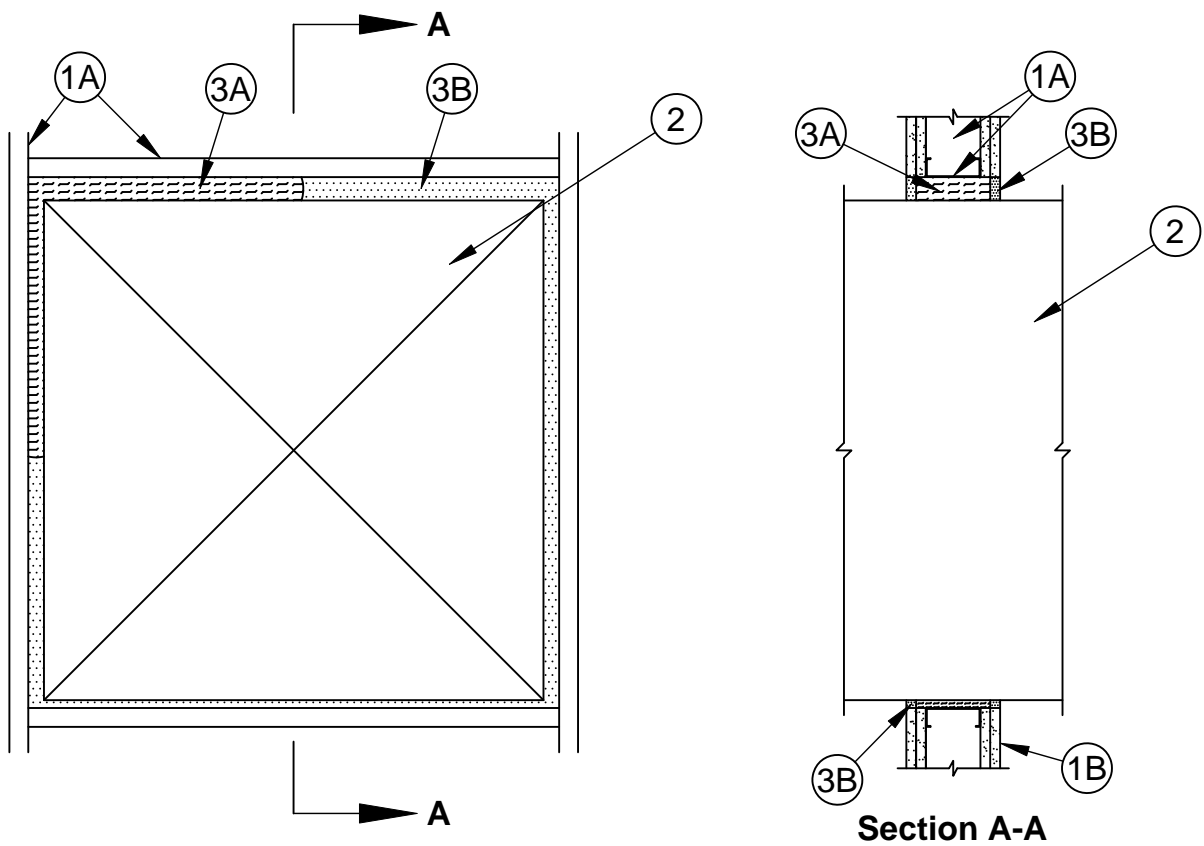


System No. W-L-7270



ANSI/UL1479 (ASTM E814)	CAN/ULC S115
F Ratings - 1 and 2 Hr (See Item 1)	F Ratings - 1 and 2 Hr (See Item 1)
T Rating - 1/4 Hr	FT Rating - 1/4 Hr
L Rating At Ambient - Less Than 1 CFM/sq ft	FH Ratings - 1 and 2 Hr (See Item 1)
L Rating At 400 F - Less Than 1 CFM/sq ft	FTH Rating - 1/4 Hr
	L Rating At Ambient - Less Than 5.1 L/s/m ²
	L Rating At 204 C - Less Than 5.1 L/s/m ²



1. **Wall Assembly** - The 1 or 2 hr fire-rated gypsum wallboard/stud wall assembly shall be constructed of the materials and in the manner described in the individual U400, V400 or W400 Series Wall and Partition Designs in the UL Fire Resistance Directory and shall include the following construction features:
 - A. **Studs** - Wall framing shall consist of min 3-1/2 in. (89 mm) wide steel channel studs spaced max 24 in. (610 mm) OC. Additional steel studs shall be used to completely frame opening.
 - B. **Gypsum Board*** - Min 5/8 in. (16 mm) thick, 4 ft (1.22 m) wide with square or tapered edges. The gypsum board type, thickness, number of layers, fastener type and sheet orientation shall be as specified in the individual U400, V400 or W400 Series Designs in the UL Fire Resistance Directory. Max area of opening is 1156 sq in. (0.75 m²) with max dimension of 34 in. (864 mm).

The hourly F and FH Ratings of the firestop system are equal to the hourly fire rating of the wall assembly in which it is installed.



Specified Technologies Inc. 210 Evans Way Somerville, NJ 08876

Reproduced courtesy of Underwriters Laboratories, Inc.
Created or Revised: October 23, 2017



2. **Steel Duct** - Max 32 by 32 in. (813 by 813 mm) No. 24 gauge (or heavier) steel duct to be installed within the framed opening. The annular space between the steel duct and the periphery of the opening shall be min 1/2 in. (13 mm) to max 1-1/2 in. (38 mm). Steel duct to be rigidly supported on both sides of the wall assembly.
3. **Firestop System** - The firestop system shall consist of the following:
 - A. **Packing Material** - Min 4 pcf (64 kg/m³) mineral wool batt insulation tightly packed into opening to full depth of the wall except for min 5/8 in. (16 mm) recess on each side of wall as required to accommodate fill material (Item 3B)..
 - B. **Fill, Void or Cavity Material* - Sealant** - Min 5/8 in. (16 mm) thickness of fill material applied within annulus, flush with both surfaces of wall assembly.

SPECIFIED TECHNOLOGIES INC - SpecSeal Series SSS Sealant or SpecSeal LCI Sealant

* Indicates such products shall bear the UL or cUL Certification Mark for jurisdictions employing the UL or cUL Certification (such as Canada), respectively.



Specified Technologies Inc. 210 Evans Way Somerville, NJ 08876

Reproduced courtesy of Underwriters Laboratories, Inc.

Created or Revised: October 23, 2017

(800)992-1180 • (908)526-8000 • FAX (908)231-8415 • E-Mail:techserv@stifirestop.com • Website:www.stifirestop.com



W-L-7270
PAGE 2 OF 2