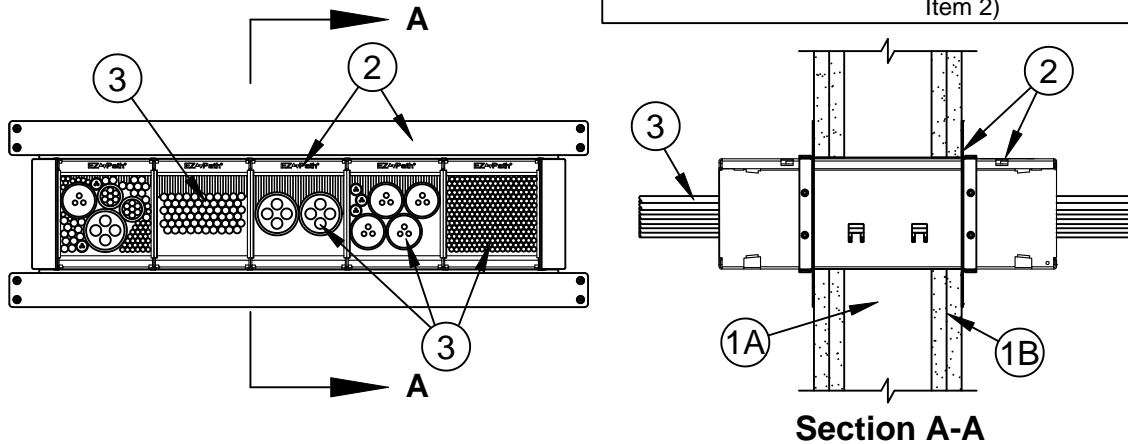


System No. W-L-3306



ANSI/UL1479 (ASTM E814)	CAN/ULC S115
F Rating - 1 or 2 Hr (See Item 1)	F Rating - 1 or 2 Hr (See Item 1)
T Ratings - 1, 1-1/2 and 2 Hr (See Item 3)	FT Ratings - 1, 1-1/2 and 2 Hr (See Item 3)
L Rating At Ambient - Less than 1 to 2.3 CFM/Device Module (See Item 2)	FH Rating - 1 or 2 Hr (See Item 1)
L Rating At 400 F - Less than 1 to 2.3 CFM/Device Module (See Item 2)	FTH Ratings - 1, 1-1/2 and 2 Hr (See Item 3)
	L Rating At Ambient - Less than 1 to 2.3 CFM/Device Module (See Item 2)
	L Rating At 400 F - Less than 1 to 2.3 CFM/Device Module (See Item 2)



1. **Wall Assembly** - The 1 or 2 hr fire rated gypsum board/stud wall assembly shall be constructed of the materials and in the manner described within the individual U300, U400, V400 or W400 Series Wall and Partition Designs in the UL Fire Resistance Directory and shall incorporate the following construction features:
 - A. **Studs** - Wall framing shall consist of either wood studs or steel channel studs. Wood studs to consist of nom 2 by 4 in. (51 by 102 mm) lumber spaced max 16 in. (406 mm) OC. Steel studs to be min 3-1/2 in. (89 mm) wide and spaced max 24 in. (610 mm) OC.
 - B. **Gypsum Board*** - Thickness, type, number of layers and fasteners as specified in the individual Wall and Partition Design. Opening in gypsum board to be max 1/4 in. (6 mm) larger than width and height dimensions of firestop device(s).

The hourly F and FH Ratings are dependent upon the hourly rating of the wall in which it is installed.

2. **Firestop Device*** - One, two, three, four or five firestop device modules ganged together and secured by means of integral hook and eye window attachment. Each firestop device module consists of a 4 by 4-5/8 by 14 in. (102 by 118 by 356 mm) long galv steel tube with an intumescent material lining. Firestop device modules to be installed in accordance with the accompanying installation instructions. The space between the firestop device module(s) and the periphery of the opening shall be min 0 in. (0 mm, point contact) to max 1/8 in. (3.2 mm). In round openings, the space between the firestop device and the periphery of the opening shall be min 0 in. (0 mm, point contact) to max 1 in. (25 mm). Firestop device module(s) secured in place by means of steel wall brackets installed with gasket material supplied with product. Steel wall brackets installed on both sides of wall and secured to outermost device modules by means of steel set screws provided with brackets. Wall brackets secured to each side of wall through predrilled holes in brackets by means of nom 1/8 in. (3.2 mm) Type G steel screws. Each firestop device module is to be installed with ends projecting an equal distance beyond each surface of the wall assembly. As an alternate, the multi-gang steel wall brackets may be installed directly against the studs for walls having 24 in. (610 mm) center-to-center stud spacing prior to installation of the gypsum board layers. The steel wall plates shall be secured to the stud by means of steel screws. After installation of the steel wall plates and firestop device modules, the gypsum board shall be installed as specified in the individual U300 or U400 Design with a maximum 1/8 in. (3.2 mm) gap between the firestop device module and the cutout in the gypsum board. Gap between the firestop device module and the cutout in the gypsum board may be filled with gypsum joint compound or fill material (Item 4). The L Ratings vary according to whether the device module is blank (no cables) or loaded (with cables) and which cable type and size is used, as tabulated below:



Specified Technologies Inc. 210 Evans Way Somerville, NJ 08876

Reproduced courtesy of Underwriters Laboratories, Inc.
Created or Revised: April 14, 2016



Device	Cable Type	L-Rating (CFM)	
		Ambient	400 °F
0%	-	Less Than 1	Less Than 1
1-25%	3A-3I	1.5	1.5
26-50%	3A-3I	2.3	2.3
51-75%	3A-3I	2.3	2.3
76-100%	3A-3I	2.3	2.3

SPECIFIED TECHNOLOGIES INC - EZ PATH Series 44+ Fire Rated Pathway

2A. **Firestop Device* - Extension Module** - (Optional, Not Shown) - Module attached to ends of firestop device (Item 2) to increase its length to facilitate installation in thicker walls. Each module consists of a 4 by 4-5/8 by 6 in. (102 by 118 by 152 mm) long galv steel tube with an intumescent material lining. Extension module to be installed in accordance with the accompanying installation instructions. When module is used, firestop device (Item 2) and extension module secured in place by means of steel plates installed with gasketing material supplied with product. Steel plates installed on both sides of wall and secured to each device or extension module by means of steel set screws provided with plates. Firestop device and extension module assembly to be installed with ends projecting an equal distance beyond each surface of the wall assembly.

SPECIFIED TECHNOLOGIES INC - EZ PATH Series 44+ Extension

3. **Cables** - Cables may represent a 0 to max 100 percent visual fill within the loading area for each firestop device module. Cables to be rigidly supported on both sides of the wall assembly. Any combination of the following types of cables may be used:
- A. Max 400 pair No. 24 AWG (or smaller) copper conductor telecommunication cable with polyvinyl chloride (PVC) or plenum-rated jacketing and insulation.
 - B. Max 750 kcmil single copper conductor power cable with XLPE jacket and insulation.
 - C. Max 7/C No. 12 AWG copper conductor control cable with PVC or XLPE jacket and insulation.
 - D. Max 3/C No. 2/0 AWG metal clad or armored cable with steel or aluminum jacket.
 - E. Max 3/C No. 8 AWG NM cable (Romex) with PVC insulation and jacket.
 - F. Max four pair No. 22 AWG (or smaller) copper conductor data cable with PVC or plenum rated jacketing and insulation.
 - G. Coaxial cable with fluorinated ethylene or PVC insulation and jacketing having a max diam of 5/8 in. (16 mm).
 - H. Optical fiber cable with PVC or polyethylene (PE) jacket and insulation and having a max diam of 5/8 in. (16 mm).
 - I. Max RG6/U coaxial cable with fluorinated ethylene, polyethylene (PE), PVC or plenum rated jacketing and insulation.

For the Series 44+ firestop device and when Item 3A, 3B, 3C, 3D, 3E or 3I is used, the T, FT and FTH Ratings are 1 hr. When Item 3F or 3G is used, the T, FT and FTH Ratings are 1 and 1-1/2 Hr for 1 and 2 Hr rated assemblies respectively. When Item 3H is used, the T, FT and FTH Ratings are 1 and 2 Hr for 1 and 2 Hr rated assemblies respectively. When device is empty, the T, FT and FTH Ratings are 1 and 1-1/2 Hr for 1 and 2 Hr rated assemblies respectively.

4. **Fill, Void or Cavity Material* - Sealant or Putty** - (Not Shown) - As an alternate to gypsum joint compound, the gap between the firestop device module and the cutout in the gypsum board may be sealed with fill material on each side of the wall assembly when four- and seven-gang steel wall plates are installed directly against the wood or steel studs.

SPECIFIED TECHNOLOGIES INC - SpecSeal Series SSS Sealant, SpecSeal LCI Sealant, SpecSeal Putty

+Bearing the UL Listing Mark

* Indicates such products shall bear the UL or cUL Certification Mark for jurisdictions employing the UL or cUL Certification (such as Canada), respectively.



Specified Technologies Inc. 210 Evans Way Somerville, NJ 08876

Reproduced courtesy of Underwriters Laboratories, Inc.

Created or Revised: April 14, 2016

(800)992-1180 • (908)526-8000 • FAX (908)231-8415 • E-Mail:techserv@stifirestop.com • Website:www.stifirestop.com



W-L-3306
PAGE 2 OF 2