



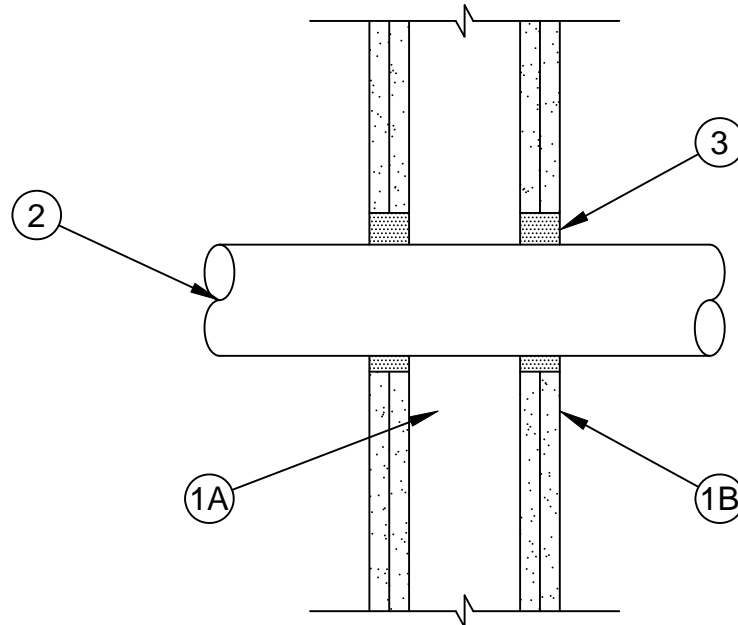
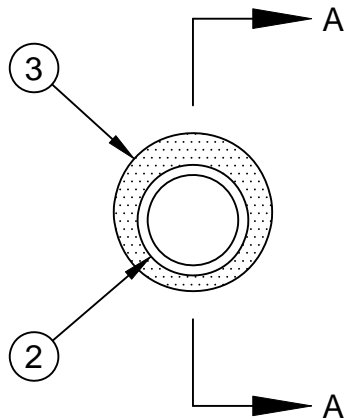
### System No. W-L-2629

F Ratings - 1 & 2 Hr (See Item 1)

T Rating - 1 & 2 Hr (See Item 1)

L Rating At Ambient - Less Than 1 CFM/sq ft

L Rating At 400 F - Less Than 1 CFM/sq ft



Section A-A

1. **Wall Assembly** - The 1 or 2 hr fire-rated gypsum wallboard/stud wall assembly shall be constructed of the materials and in the manner described in the individual U300 or U400 Series Wall or Partition Design in the UL Fire Resistance Directory and shall include the following construction features:
  - A. **Studs** - Wall framing may consist of either wood studs or steel channel studs. Wood studs to consist of nom 2 by 4 in. (51 by 102 mm) lumber spaced 16 in. (406 mm) OC. Steel studs to be min 3-1/2 in. (89 mm) wide and spaced max 24 in. (610 mm) OC.
  - B. **Gypsum Board\*** - Thickness, type, number of layers and fasteners as specified in the individual Wall and Partition Design. Max diam of opening is 5 in. (127 mm).  
The hourly F and T Ratings of the firestop system is equal to the hourly fire rating of the wall assembly in which it is installed.
2. **Through Penetrant\* - Chlorinated Polyvinyl Chloride (CPVC) Pipe** - Nom 3 in. (76 mm) diam (or smaller) SDR 11 or Schedule 80 CPVC pipe for use in closed (process or supply) piping systems. One pipe to be installed concentrically or eccentrically within the firestop system. Annular space to be min 1/2 in. (13 mm) to max 1 in. (25 mm). Penetrant to be rigidly supported on both sides of wall assembly.
3. **Fill, Void or Cavity Materials\* - Sealant** - Min thickness of 5/8 in. (16 mm) and 1-1/4 in. (32 mm) of sealant for 1 and 2 hr rated wall assemblies, respectively, applied within annulus, flush with both surfaces of wall assembly.

**SPECIFIED TECHNOLOGIES INC** - SpecSeal Series SSS Sealant or SpecSeal LCI Sealant

\*Indicates such products shall bear the UL or cUL Certification Mark for jurisdictions employing the UL or cUL Certification (such as Canada), respectively.



**Specified Technologies Inc. 210 Evans Way Somerville, NJ 08876**

Reproduced courtesy of Underwriters Laboratories, Inc.

Created or Revised: June 21, 2016

(800)992-1180 • (908)526-8000 • FAX (908)231-8415 • E-Mail:techserv@stifirestop.com • Website:www.stifirestop.com



W-L-2629  
PAGE 1 OF 1