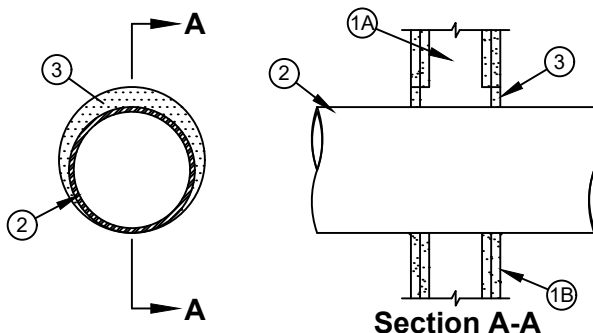


**System No. W-L-1222**

F Ratings - 1 and 2 Hr (See Item 1)  
T Ratings - 1/4, 3/4 and 1 Hr (See Item 2)



1. **Wall Assembly** - The 1 or 2 hr fire-rated gypsum board/stud wall assembly shall be constructed of the materials and in the manner specified in the individual U300 or U400 Series Wall or Partition Design in the UL Fire Resistance Directory and shall include the following construction features:

- A. **Studs** - Wall framing may consist of either wood studs or steel channel studs. Wood studs to consist of nom 2 by 4 in. (51 by 102 mm) lumber spaced 16 in. (406 mm) OC. Steel studs to be min 3-1/2 in. (89 mm) wide and spaced max 24 in. (610 mm) OC.
- B. **Gypsum Board\*** - Thickness, type, number of layers and fasteners as specified in the individual Wall and Partition Design. Max diam of opening is 10-5/8 in. (270 mm).

**The hourly F Rating of the firestop system is equal to the hourly fire rating of the wall assembly in which it is installed.**

2. **Through Penetrant** - One metallic pipe, conduit or tube to be installed eccentrically or concentrically within the firestop system. Pipe, conduit or tubing may be installed at an angle not greater than 45 degrees from perpendicular. The annular space between the pipe, conduit or tube and the periphery of the opening shall be min 0 in. (0 mm, point contact) to max 2 in. (51 mm). Pipe, conduit or tube to be rigidly supported on both sides of the wall assembly. The following types and sizes of metallic pipes, conduits and tubes may be used:

- A. **Steel Pipe** - Nom 8 in. (203 mm) diam (or smaller) Schedule 5 (or heavier) steel pipe.
- B. **Iron Pipe** - Nom 8 in. (203 mm) diam (or smaller) cast or ductile iron pipe.
- C. **Conduit** - Nom 6 in. (152 mm) diam (or smaller) rigid steel conduit, nom 4 in. (102 mm) diam (or smaller) steel electrical metallic tubing (EMT) or nom 4 in. (102 mm) diam (or smaller) flexible steel conduit.
- D. **Copper Pipe** - Nom 4 in. (102 mm) diam (or smaller) Regular (or heavier) copper pipe.
- E. **Copper Tube** - Nom 4 in. (102 mm) diam (or smaller) Type L (or heavier) copper tube.

Type of Penetrant	Max Diam	T Rating
Steel or iron pipe, steel conduit or EMT	2 in. (51 mm)	1 hr
Steel or iron pipe, steel conduit or EMT	8 in. (203 mm)	3/4 hr
Copper pipe or tube	4 in. (102 mm)	1/4 hr

2A. **Through Penetrating Product\* - Flexible Metal Piping** - As an alternate to Item 2, one nom 1-1/4 in. (32 mm) diam (or smaller) steel flexible metal pipe to be installed either concentrically or eccentrically within the firestop system. The annular space between the pipe and the periphery of the opening shall be min 0 in. (0 mm, point contact) to max 2 in. (51 mm). Pipe to be rigidly supported on both sides of the wall assembly.

**OMEGA FLEX INC**  
**GASTITE, DIV OF TITEFLEX**  
**WARD MFG L L C**

3. **Fill, Void or Cavity Material\* - Sealant** - Min 5/8 in. (16 mm) thickness of fill material applied within annulus, flush with both surfaces of wall assembly. At point contact location, min 1/4 in. (6 mm) diam bead of fill material applied at metallic pipe/gypsum board interface on both surfaces of wall.

**SPECIFIED TECHNOLOGIES INC** - SpecSeal LCI Sealant

\* Indicates such products shall bear the UL or cUL Certification Mark for jurisdictions employing the UL or cUL Certification (such as Canada), respectively.



**Specified Technologies Inc. 210 Evans Way Somerville, NJ 08876**

Reproduced courtesy of Underwriters Laboratories, Inc.  
Created or Revised: January 23, 2014

(800)992-1180 • (908)526-8000 • FAX (908)231-8415 • E-Mail:techserv@stifirestop.com • Website:www.stifirestop.com

