



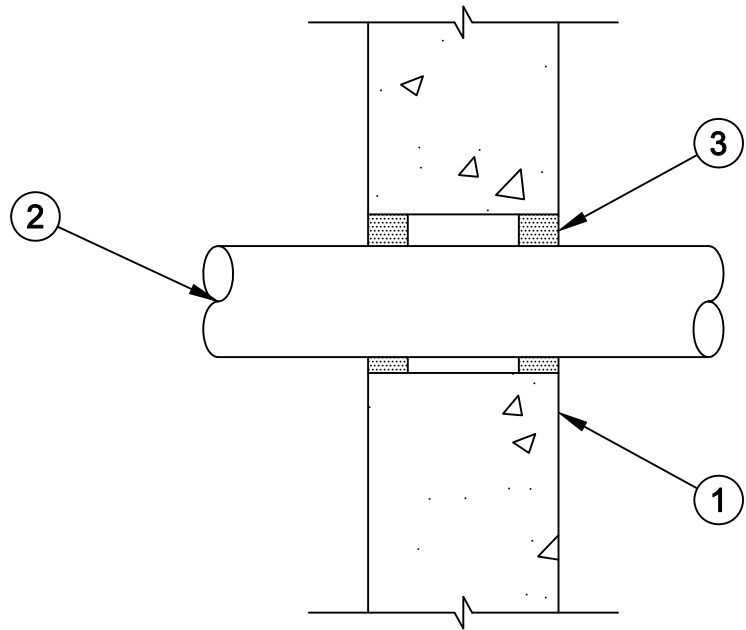
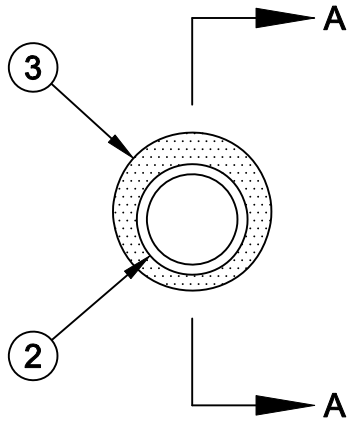
### **System No. W-J-2289**

F Rating - 2 Hr

T Rating - 2 Hr

L Rating At Ambient - Less Than 1 CFM/sq ft

L Rating At 400 F - Less Than 1 CFM/sq ft



**Section A-A**

1. **Wall Assembly** - Min 6 in. thick reinforced lightweight or normal weight (100-150 pcf) concrete. Wall may also be constructed of any UL Classified **Concrete Blocks\***. Max diam of opening is 5 in.

See **Concrete Blocks** (CAZT) category in the Fire Resistance Directory for names of manufacturers.

2. **Through Penetrant\* - Chlorinated Polyvinyl Chloride (CPVC) Pipe** - Nom 3 in. (76 mm) diam (or smaller) SDR 11 or Schedule 80 CPVC pipe for use in closed (process or supply) piping systems. One pipe to be installed concentrically or eccentrically within the firestop system. Annular space to be min 1/2 in. (13 mm) to max 1 in. (25 mm). Penetrant to be rigidly supported on both sides of wall assembly.
3. **Fill, Void or Cavity Materials\* - Sealant** - Min thickness of 1-1/4 in. (32 mm) of sealant applied within annulus, flush with both surfaces of wall assembly.

**SPECIFIED TECHNOLOGIES INC** - SpecSeal Series SSS Sealant or SpecSeal LCI Sealant

\* Indicates such products shall bear the UL or cUL Certification Mark for jurisdictions employing the UL or cUL Certification (such as Canada), respectively.



**Specified Technologies Inc. 210 Evans Way Somerville, NJ 08876**

Reproduced courtesy of Underwriters Laboratories, Inc.

Created or Revised: June 21, 2016

(800)992-1180 • (908)526-8000 • FAX (908)231-8415 • E-Mail:techserv@stifirestop.com • Website:www.stifirestop.com



W-J-2289  
PAGE 1 OF 1