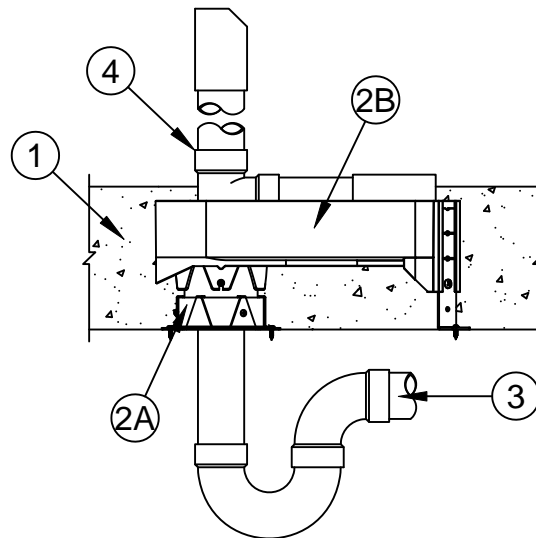




### System No. F-B-2065

F Ratings - 2 and 3 Hr (See Item 3)  
FT Rating - 0 Hr  
FH Rating - 0 Hr  
FTH Rating - 0 Hr



System tested with a pressure differential of 50 Pa between the exposed and the unexposed surfaces with the higher pressure on the exposed side.

1. **Floor Assembly** - Min 178 mm (7 in.) thick reinforced lightweight or normal weight (1600-2400 kg/m<sup>3</sup> or 100-150 pcf) concrete floor.
2. **Firestop System** - The firestop system shall consist of the following:
  - A. **Firestop Device\*** - Cast in place firestop device permanently embedded during concrete placement or grouted in concrete assembly in accordance with accompanying installation instructions. Cast in place firestop device installed flush with the bottom surface of the floor and trimmed 76 mm (3 in.) below the top surface of the floor.  
**SPECIFIED TECHNOLOGIES INC** - CD201C, CD202C, CD203C, CD301C, CD302C or CD303C Cast In Firestop Device
  - B. **Firestop Device\* - Tub Box\*** - Nom 244 by 324 by 76 mm (9-5/8 by 12-3/4 by 3 in.) polypropylene (PP) tub box, with adjustable legs, secured to top of Cast In Firestop Device (Item 2A) and cast into concrete slab, flush with top surface of floor.  
**SPECIFIED TECHNOLOGIES INC** - CD23T
3. **Drain Piping** - Nom 38 mm (1-1/2 in.), 51 mm (2 in.), 64 mm (2-1/2 in.) or 76 mm (3 in.) drain piping and drain fittings cemented together. The following types and sizes of nonmetallic pipes may be used:
  - A. **Polyvinyl Chloride (PVC) Pipe** - Nom 76 mm (3 in.) diam (or smaller) solid or cellular core Schedule 40 polyvinyl chloride (PVC) pipe.  
**When PVC pipe is used, F Rating is 3 Hr and FT Rating is 0 Hr.**
  - B. **Polyvinyl Chloride (PVC) Pipe** - Nom 76 mm (3 in.) diam (or smaller) solid or cellular core Schedule 40 polyvinyl chloride (PVC) pipe.  
**IPEX INC** - System 15 piping  
**When PVC pipe (IPEX INC - System 15 piping) is used, F Rating is 2 Hr.**



**Specified Technologies Inc. 210 Evans Way Somerville, NJ 08876**

Reproduced courtesy of Underwriters Laboratories, Inc.  
Created or Revised: March 20, 2018

(800)992-1180 • (908)526-8000 • FAX (908)231-8415 • E-Mail:techserv@stifirestop.com • Website:www.stifirestop.com



F-B-2065  
PAGE 1 OF 2

C. **XFR Polyvinyl Chloride (PVC) Pipe** - Nom 76 mm (3 in.) diam (or smaller) Schedule 40 XFR pipe.

**IPEX INC** - System XFR

**When XFR pipe (IPEX INC - System XFR) is used, F Rating is 3 Hr.**

Nom Pipe Diam	Firestop Device
38 or 51 mm (1-1/2 or 2 in.)	CD201C, CD202C or CD203C
64 or 76 mm (2-1/2 or 3 in.)	CD301C, CD302C or CD303C

4. **Waste/Overflow Fitting** - Nom 38 mm (1-1/2 in.), 51 mm (2 in.), 64 mm (2-1/2 in.) or 76 mm (3 in.) diam waste/overflow fitting, formed of polyvinyl chloride (PVC) or XFR polyvinyl chloride (PVC).

**\*Indicates such products shall bear the UL or cUL Certification Mark for jurisdictions employing the UL or cUL Certification (such as Canada), respectively.**



**Specified Technologies Inc. 210 Evans Way Somerville, NJ 08876**

Reproduced courtesy of Underwriters Laboratories, Inc.  
Created or Revised: March 20, 2018

