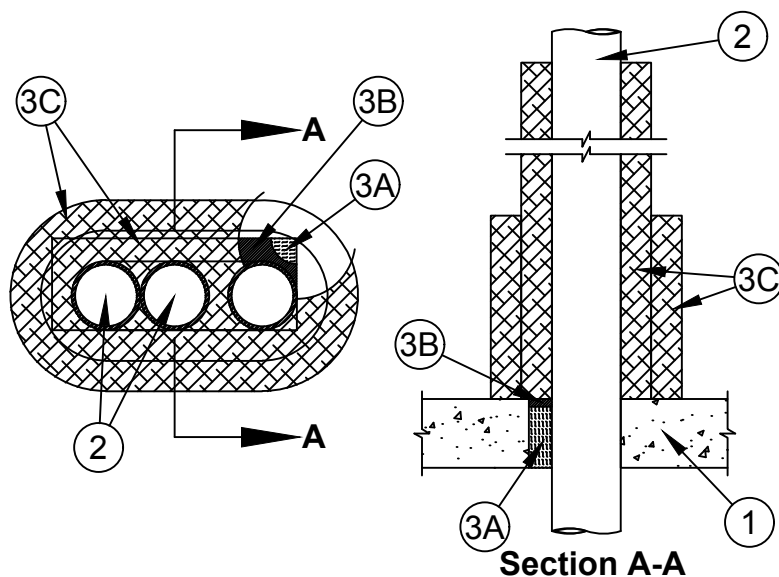


System No. F-A-1180



ANSI/UL1479 (ASTM E814)	CAN/ULC S115
F Ratings - 2 and 3 Hr (See Item 1)	F Ratings - 2 and 3 Hr (See Item 1)
T Ratings - 2 and 3 Hr (See Item 1)	FT Ratings - 2 and 3 Hr (See Item 1)
L Rating At Ambient - Less Than 1 CFM/ft2	FH Ratings - 2 and 3 Hr (See Item 1)
L Rating At 400 F - Less Than 1 CFM/ft2	FTH Ratings - 2 and 3 Hr (See Item 1)
W Rating - Class 1 (See Item 3B)	L Rating At Ambient - Less Than 5.1 L/s/m2
	L Rating At 204 C - Less Than 5.1 L/s/m2



1. **Floor Assembly** - Min 4-1/2 in. (114 mm) thick reinforced lightweight or normal weight (100-150 pcf or 1600-2400 kg/m³) concrete. As an alternate, any min 2 hr fire rated D700, D800 or D900 Series Floor-Ceiling Design in the UL Fire Resistance Directory having a min 2-1/2 in. (64 mm) thickness of lightweight or normal weight (100-150 pcf or 1600-2400 kg/m³) concrete topping over the steel deck may be used. Floor may also be constructed of any min 6 in. (152 mm) thick hollow core UL Classified **Precast Concrete Units***. Max area of opening is 96 sq in. (619 sq cm) with a max dim of 16 in. Max diam of opening in floor constructed of hollow-core precast concrete units is 7 in. (178 mm).
See **Precast Concrete Units** (CFTV) category in Fire Resistance Directory for names of manufacturers.
The F, T, FT, FH and FTH Ratings are 2 hr when the min thickness of the concrete floor is less than 4-1/2 in. (114 mm).
2. **Through-Penetrant** - One or more metallic pipes, conduits or tubing installed concentrically or eccentrically within opening. Pipes, conduits, or tubing spaced min 0 in. (0 mm, point contact) to max 1-1/2 in. (38 mm) apart. Annular space between penetrant and periphery of opening shall be min of 0 in. (0 mm, point contact) to max 2 in. (51 mm). Penetrant to be rigidly supported on both sides of floor assembly. The following types and sizes of penetrants may be used:
 - A. **Steel Pipe** - Nom 4 in. (102 mm) diam (or smaller) Schedule 10 (or heavier) steel pipe.
 - B. **Iron Pipe** - Nom 4 in. (102 mm) diam (or smaller) cast or ductile iron pipe.
 - C. **Conduit** - Nom 4 in. (152 mm) diam (or smaller) steel conduit or steel electrical metallic tubing (EMT) or nom 1 in. (25 mm) diam (or smaller) flexible steel conduit.
3. **Firestop System** - The details of the firestop system shall be as follows:
 - A. **Packing Material** - Min 4 pcf (64 kg/m³) mineral wool batt insulation firmly packed into opening as a permanent form. Packing material to extend through entire thickness of concrete floor except for recess at top surface of floor to accommodate the required thickness of fill material.



Specified Technologies Inc. 210 Evans Way Somerville, NJ 08876

Reproduced courtesy of Underwriters Laboratories, Inc.
Created or Revised: October 20, 2018

(800)992-1180 • (908)526-8000 • FAX (908)231-8415 • E-Mail:techserv@stifirestop.com • Website:www.stifirestop.com



F-A-1180
PAGE 1 OF 2

- B. **Fill, Void or Cavity Materials* - Sealant or Putty** - Min 1/2 in. (13 mm) thickness of caulk or putty applied within the annulus, flush with top surface of floor. At point contact, apply min 1/4 in. (6 mm) bead at penetrant/concrete interface on top surface of floor.

SPECIFIED TECHNOLOGIES INC - SpecSeal SSS, SpecSeal LCI Sealant, SpecSeal Putty, SpecSeal SIL300 Sealant or SpecSeal SIL300SL Sealant.

W Rating applies only when SpecSeal SIL300, or SpecSeal SIL300SL Sealants are used with solid penetrant (not flexible steel conduit).

- C. **Duct Wrap Material*** - Min 1-1/2 in. (38 mm) thick duct wrap tightly wrapped around penetrants to extend 36 in. (914 mm) above floor. An additional layer of min 1-1/2 in. (38 mm) thick duct wrap tightly wrapped around the first layer of duct wrap to extend 12 in. (305 mm) above floor. The spaces between penetrants at the top of the duct wrap is to be tightly-packed with a nominal 2 in. (51 mm) depth of duct wrap material. All longitudinal seams of both layers of duct wrap are sealed with foil tape.

UNIFRAX I LLC - FyreWrap Elite 1.5 Duct Insulation.

* Indicates such products shall bear the UL or cUL Certification Mark for jurisdictions employing the UL or cUL Certification (such as Canada), respectively.



Specified Technologies Inc. 210 Evans Way Somerville, NJ 08876

Reproduced courtesy of Underwriters Laboratories, Inc.

Created or Revised: October 20, 2018

(800)992-1180 • (908)526-8000 • FAX (908)231-8415 • E-Mail:techserv@stifirestop.com • Website:www.stifirestop.com



F-A-1180
PAGE 2 OF 2