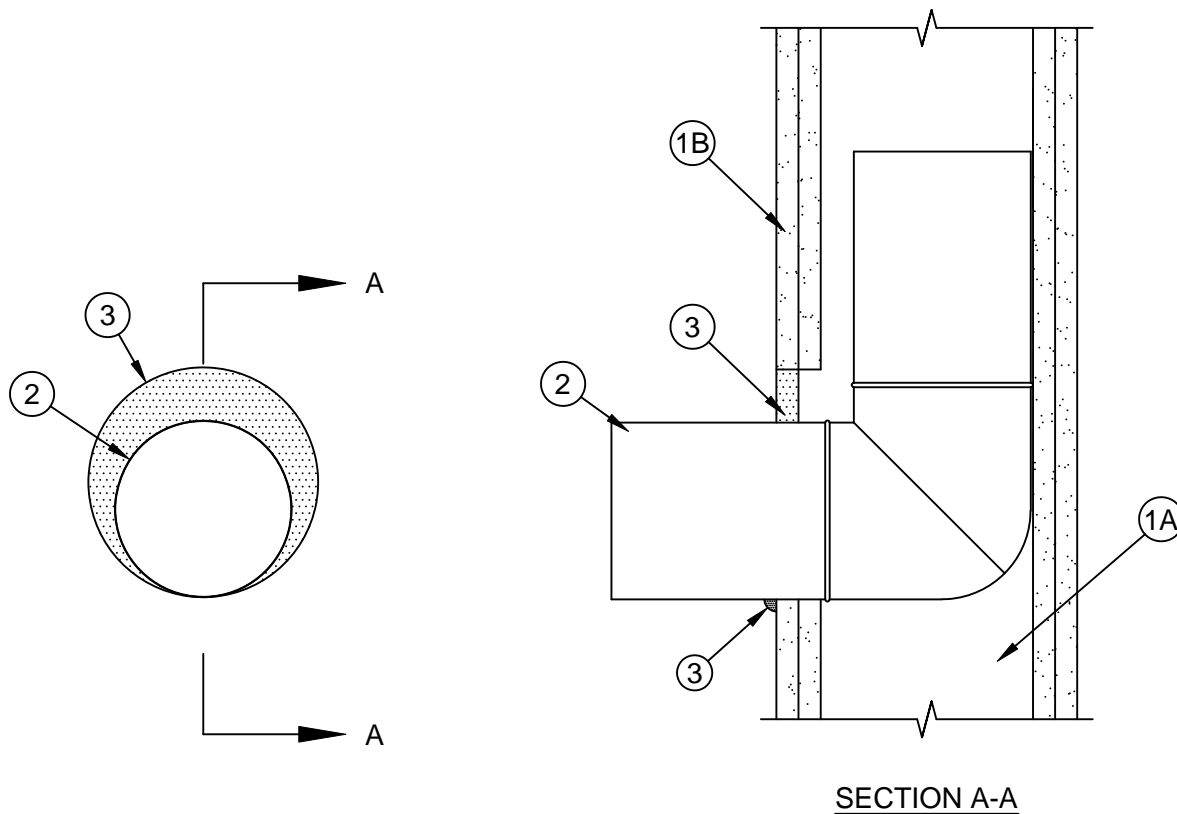


**System No. W-L-7246**



ANSI/UL1479 (ASTM E814)	CAN/ULC S115
F Ratings - 1 and 2 Hr (See Item 1)	F Ratings - 1 and 2 Hr (See Item 1)
T Ratings - 1 and 2 Hr (See Item 1)	FT Ratings - 1 and 2 Hr (See Item 1)
L Rating At Ambient - Less Than 1 CFM/sq ft	FH Ratings - 1 and 2 Hr (See Item 1)
L Rating At 400 F - Less Than 1 CFM/sq ft	FTH Ratings - 1 and 2 Hr (See Item 1)
	L Rating At Ambient - Less Than 5.1 L/s/m <sup>2</sup>
	L Rating At 400 F - Less Than 5.1 L/s/m <sup>2</sup>



1. **Wall Assembly** - The 1 or 2 hr fire-rated gypsum wallboard/stud wall assembly shall be constructed of the materials and in the manner specified in the individual U300, U400, V400 or W400 Series Wall and Partition Design in the UL Fire Resistance Directory and shall include the following construction features:
  - A. **Studs** - Wall framing to consist of nom 2 by 6 in. (51 by 152 mm) (or larger) wood or steel channel studs or doubled or staggered nom 2 by 4 in. (51 by 102 mm) (or larger) wood studs spaced in accordance with the individual U300, U400, V400 or W400 Series Wall and Partition Designs.
  - B. **Gypsum Board\*** - One or two layers of nom 5/8 in. (16 mm) thick gypsum board as specified in the individual Wall and Partition Design. Max diam of opening is 6-1/2 in. (165 mm).

**The hourly F, T, FT, FH and FTH Ratings of the firestop system are equal to the hourly fire rating of the wall assembly in which it is installed.**



**Specified Technologies Inc. 210 Evans Way Somerville, NJ 08876**

Reproduced courtesy of Underwriters Laboratories, Inc.  
Created or Revised: August 26, 2016

(800)992-1180 • (908)526-8000 • FAX (908)231-8415 • E-Mail:techserv@stifirestop.com • Website:www.stifirestop.com



2. **Steel Duct** - Nom 5 in. (127 mm) diam (or smaller) No. 30 gauge (or heavier) galv steel duct to be installed either concentrically or eccentrically, penetrating wall assembly on one side of wall. The annular space between the duct and the periphery of opening shall be min 0 in. (point contact) to max 1-1/2 in. (38 mm). Duct shall be rigidly supported within the wall and on the penetrated side of the wall assembly.
3. **Fill, Void or Cavity Material\* - Sealant** - Min 5/8 in. (16 mm) thickness of fill material applied within annulus, flush with surface of wall assembly. At point contact location, min 3/8 in. (10 mm) diam bead of fill material to be applied at the penetrant/gypsum board interface.

**SPECIFIED TECHNOLOGIES INC** - SpecSeal Series SSS Sealant or SpecSeal LCI Sealant

\*Indicates such products shall bear the **UL or cUL Certification Mark** for jurisdictions employing the **UL or cUL Certification** (such as Canada), respectively.



**Specified Technologies Inc. 210 Evans Way Somerville, NJ 08876**

Reproduced courtesy of Underwriters Laboratories, Inc.

Created or Revised: August 26, 2016

(800)992-1180 • (908)526-8000 • FAX (908)231-8415 • E-Mail:techserv@stifirestop.com • Website:www.stifirestop.com



W-L-7246  
PAGE 2 OF 2