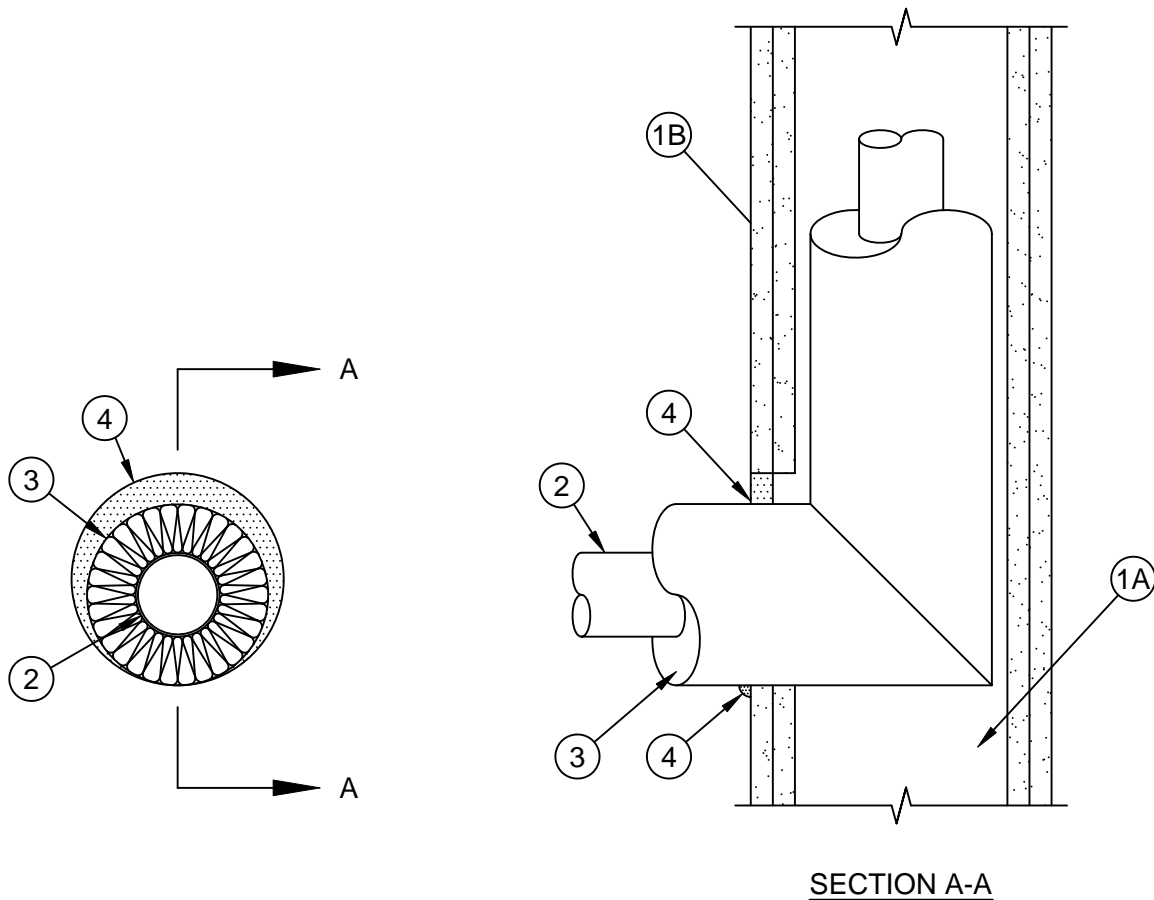


System No. W-L-5327



ANSI/UL1479 (ASTM E814)	CAN/ULC S115
F Ratings - 1 and 2 Hr (See Item 1)	F Ratings - 1 and 2 Hr (See Item 1)
T Ratings - 1 and 2 Hr (See Item 1)	FT Ratings - 1 and 2 Hr (See Item 1)
L Rating At Ambient - Less Than 1 CFM/sq ft	FH Ratings - 1 and 2 Hr (See Item 1)
L Rating At 400 F - Less Than 1 CFM/sq ft	FTH Ratings - 1 and 2 Hr (See Item 1)
	L Rating At Ambient - Less Than 5.1 L/s/m2
	L Rating At 400 F - Less Than 5.1 L/s/m2



1. **Wall Assembly** - The 1 or 2 hr fire-rated gypsum wallboard/stud wall assembly shall be constructed of the materials and in the manner specified in the individual U300, U400, V400 or W400 Series Wall and Partition Design in the UL Fire Resistance Directory and shall include the following construction features:
 - A. **Studs** - Wall framing to consist of nom 2 by 6 in. (51 by 152 mm) (or larger) wood or steel channel studs or doubled or staggered nom 2 by 4 in. (51 by 102 mm) (or larger) wood studs spaced in accordance with the individual U300, U400, V400 or W400 Series Wall and Partition Designs.
 - B. **Gypsum Board*** - One or two layers of nom 5/8 in. (16 mm) thick gypsum board as specified in the individual Wall and Partition Design. Max diam of opening is 6 in. (152 mm).

The hourly F, T, FT, FH and FTH Ratings of the firestop system are equal to the hourly fire rating of the wall assembly in which it is installed.



Specified Technologies Inc. 210 Evans Way Somerville, NJ 08876

Reproduced courtesy of Underwriters Laboratories, Inc.
Created or Revised: August 26, 2016

(800)992-1180 • (908)526-8000 • FAX (908)231-8415 • E-Mail:techserv@stifirestop.com • Website:www.stifirestop.com



2. **Penetrant** - One metallic pipe or tube to be installed either concentrically or eccentrically, penetrating wall assembly on one side of wall. Penetrant shall be rigidly supported within the wall and on the penetrated side of the wall assembly. One of the following types and sizes of pipe or tube may be used:
- A. **Steel Pipe** - Nom 2 in. (51 mm) diam (or smaller) Schedule 5 (or heavier) steel pipe.
 - B. **Iron Pipe** - Nom 2 in. (51 mm) diam (or smaller) cast or ductile iron pipe.
 - C. **Copper Tubing** - Nom 1 in. (25 mm) diam (or smaller) Type L (or heavier) copper tubing.
 - D. **Copper Pipe** - Nom 1 in. (25 mm) diam (or smaller) Regular (or heavier) copper pipe.
3. **Pipe Coverings*** - One of the following types of pipe coverings shall be used:
- A. **Pipe and Equipment Covering Materials*** - Max 2 in. (51 mm) thick hollow cylindrical heavy density (min 3.5 pcf (56 kg/m³)) glass fiber units jacketed on the outside with an all service jacket. Longitudinal joints sealed with metal fasteners or factory-applied self-sealing lap tape. Transverse joints secured with metal fasteners or with butt tape supplied with the product. The annular space between insulated penetrating item and the edge of the through opening shall be min 0 in. (point contact) to max 7/8 in. (22 mm).
See **Pipe and Equipment Covering-Materials*** (BRGU) category in the Building Materials Directory for names of manufacturers. Any pipe covering material meeting the above specifications and bearing the UL Classification Marking with a Flame Spread Index of 25 or less and a Smoke Developed Index of 50 or less may be used.
 - B. **Pipe Covering Materials*** - Max 2 in. (51 mm) thick unfaced mineral fiber pipe insulation sized to the outside diam of pipe or tube. Pipe insulation secured with min 18 AWG steel wire spaced max 12 in. (305 mm) OC. The annular space between insulated penetrating item and the edge of the through opening shall be min 0 in. (point contact) to 7/8 in. (22 mm) max.
INDUSTRIAL INSULATION GROUP L L C - High Temperature Pipe Insulation 1200, High Temperature Pipe Insulation BWT or High Temperature Pipe Insulation Thermaloc
 - C. **Sheathing Material*** - Used in conjunction with Item 3B. Foil-scrim-kraft or all service jacket material shall be wrapped around the outer circumference of the pipe insulation (Item 3B) with the kraft side exposed. Longitudinal joints and transverse joints sealed with metal fasteners or butt tape.
See **Sheathing Materials** (BVDV) category in the Building Materials Directory for names of manufacturers. Any sheathing material meeting the above specifications and bearing the UL Classification Marking with a Flame Spread Index of 25 or less and a Smoke Developed Index of 50 or less may be used.
3. **Fill, Void or Cavity Material* - Sealant** - Min 5/8 in. (16 mm) thickness of fill material applied within annulus, flush with surface of wall assembly. At point contact location, min 3/8 in. (10 mm) diam bead of fill material to be applied at the penetrant/gypsum board interface.

SPECIFIED TECHNOLOGIES INC - SpecSeal Series SSS Sealant or SpecSeal LCI Sealant

* Indicates such products shall bear the UL or cUL Certification Mark for jurisdictions employing the UL or cUL Certification (such as Canada), respectively.



Specified Technologies Inc. 210 Evans Way Somerville, NJ 08876

Reproduced courtesy of Underwriters Laboratories, Inc.

Created or Revised: August 26, 2016

(800)992-1180 • (908)526-8000 • FAX (908)231-8415 • E-Mail:techserv@stifirestop.com • Website:www.stifirestop.com



W-L-5327
PAGE 2 OF 2