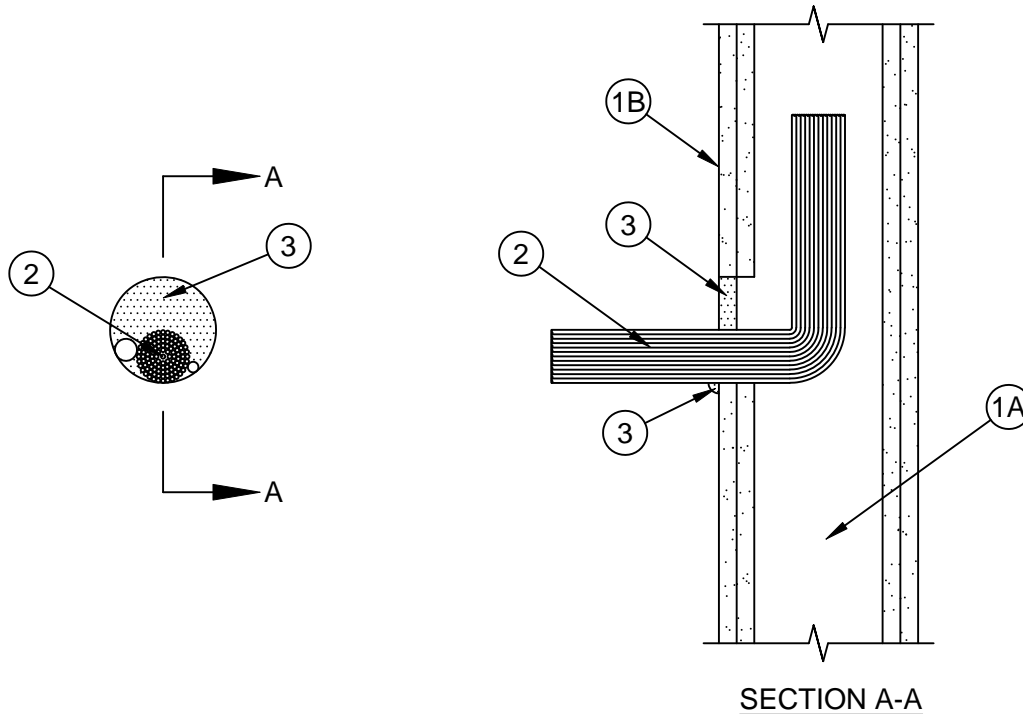


System No. W-L-3427



ANSI/UL1479 (ASTM E814)	CAN/ULC S115
F Ratings - 1 and 2 Hr (See Item 1)	F Ratings - 1 and 2 Hr (See Item 1)
T Ratings - 1/4 Hr	FT Ratings - 1/4 Hr
	FH Ratings - 1 and 2 Hr (See Item 1)
	FTH Ratings - 1/4 Hr



- Wall Assembly** - The 1 or 2 hr fire-rated gypsum wallboard/stud wall assembly shall be constructed of the materials and in the manner specified in the individual U300, U400, V400 or W400 Series Wall and Partition Design in the UL Fire Resistance Directory and shall include the following construction features:

 - Studs** - Wall framing may consist of either wood studs or steel channel studs. Wood studs to consist of nom 2 by 4 in. (51 by 102 mm) lumber spaced 16 in. (406 mm) OC. Steel studs to be min 3-1/2 in. (89 mm) wide and spaced max 24 in. (610 mm) OC.
 - Gypsum Board*** - One or two layers of nom 5/8 in. (16 mm) thick gypsum board as specified in the individual Wall and Partition Design. Max diam of opening is 3 in. (76 mm).
The hourly F and FH Ratings of the firestop system are equal to the hourly fire rating of the wall assembly in which it is installed.
- Cables** - One or more individual cables or max 1-1/2 in. (38 mm) diam tight bundle of cables to be installed either concentrically or eccentrically, penetrating wall assembly on one side of wall. The annular space between the cables and the periphery of opening shall be min 0 in. (point contact) to max 1-1/2 in. (38 mm). Cables shall be rigidly supported within the wall and on the penetrated side of the wall assembly. Any combination of the following types and sizes of cables may be used:

 - Max 3/C No. 8 AWG (or smaller) nonmetallic sheathed (Romex) cable with copper conductors, PVC insulation and jacket.
 - Max RG/U (or smaller) coaxial cable with fluorinated ethylene or plenum-rated insulation and jacketing.



Specified Technologies Inc. 210 Evans Way Somerville, NJ 08876

Reproduced courtesy of Underwriters Laboratories, Inc.
 Created or Revised: August 26, 2016

(800)992-1180 • (908)526-8000 • FAX (908)231-8415 • E-Mail:techserv@stifirestop.com • Website:www.stifirestop.com



- C. Max 62.5/48 fiber optic cable with PVC or plenum-rated insulation and jacketing.
 - D. Max 4 pair No. 24 AWG (or smaller) copper conductor data cable with PVC or plenum-rated insulation and jacket.
 - E. Max 4/C No. 2/0 aluminum or copper conductor aluminum or steel Metal-Clad or Armored-Clad cable.
3. **Fill, Void or Cavity Material* - Sealant** - Min 5/8 in. (16 mm) thickness of fill material applied within annulus, flush with surface of wall assembly. At point contact location, min 3/8 in. (10 mm) diam bead of fill material to be applied at the penetrant/gypsum board interface.

SPECIFIED TECHNOLOGIES INC - SpecSeal Series SSS Sealant or SpecSeal LCI Sealant

* Indicates such products shall bear the UL or cUL Certification Mark for jurisdictions employing the UL or cUL Certification (such as Canada), respectively.



Specified Technologies Inc. 210 Evans Way Somerville, NJ 08876

Reproduced courtesy of Underwriters Laboratories, Inc.

Created or Revised: August 26, 2016

(800)992-1180 • (908)526-8000 • FAX (908)231-8415 • E-Mail:techserv@stifirestop.com • Website:www.stifirestop.com



W-L-3427
PAGE 2 OF 2