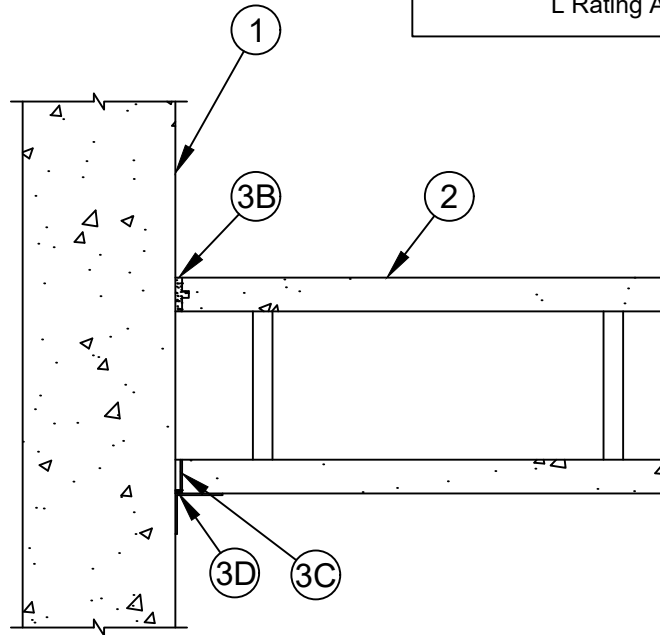




**System No. FW-S-0019**

ANSI/UL2079	CAN/ULC S115
Assembly Rating - 2 Hr	F Rating - 2 Hr
Joint Width - 1/2 in. Max	FT Rating - 2 Hr
L Rating At Ambient - Less Than 1 CFM/lin ft	FH Rating - 2 Hr
L Rating At 400 F - Less Than 1 CFM/lin ft	FTH Rating - 2 Hr
	Joint Width - 12.7 mm Max
	L Rating At Ambient - Less Than 1.55 L/s/m
	L Rating At 204°C - Less Than 1.55 L/s/m



1. **Wall Assembly** - Min 4-1/2 in. (114 mm) thick lightweight or normal weight (100-150 pcf or 1600-2400 kg/m<sup>3</sup>) thick concrete. Wall may also be constructed of any UL Classified **Concrete Blocks\***.  
See **Concrete Blocks** (CAZT) category in the Fire Resistance Directory for names of manufacturers.
2. **Precast Concrete Units (CFTV)\*** - Precast, pre-stressed dual deck units constructed in accordance with Floor-Ceiling Design No. K919.  
**FINFROCK INDUSTRIES INC** - Type Dual Deck
3. **Joint System** - The max width of joint system is 1/2 in. (12.7 mm). The joint system shall consist of the following:
  - A. **Packing Material** - (Optional, Not Shown) - To facilitate installation of sealant (Item 3B1), open or closed cell polyethylene foam backer rod, mineral wool batt insulation or fiberglass batt insulation may be used as form to prevent leakage of fill material. If installed, packing material to be recessed from top surface of floor as required to accommodate required thickness of fill material.
  - B. **Non-Shrink Grout** - Nom 2-1/2 in. (64 mm) non-shrink grout installed to completely fill the joint on the top slab.
  - B1. **Fill, Void or Cavity Material\* - Sealant** - (Optional, Not Shown) - As an alternate to the non-shrink grout (Item 3B) at top of floor, min 1/2 in. (13 mm) thickness of fill material applied within the joint, flush with the top surface of the floor.  
**SPECIFIED TECHNOLOGIES INC** - SpecSeal SIL300 Sealant or SpecSeal SIL300SL Sealant



**Specified Technologies Inc. 210 Evans Way Somerville, NJ 08876**

Reproduced courtesy of Underwriters Laboratories, Inc.  
Created or Revised: October 24, 2019



- C. **Fill, Void or Cavity Materials\*** - Nom 2-1/4 in. (57 mm) wide by nom 0.05 in. (1.25 mm) thick intumescent gasket installed within the bottom joint, flush with the top surface of the bottom slab.

**SPECIFIED TECHNOLOGIES INC** - Speed Flex Track Top Gasket

- D. **Joint Compound\*** - Nom 1/4 in. (6 mm) thickness of joint compound installed within the bottom joint, flush within the bottom surface of the bottom slab. Additional joint compound to be applied over fiberglass mesh tape on the bottom surface of the bottom slab to overlap onto the slab and wall on both sides of the joint a min of 2 in. (51 mm).
- D1. **Steel Cover Plate** - (Optional, Not Shown) - As an alternate to Item 3D, min 0.019 in. (No. 25 gauge) steel plate installed flush with the bottom surface of the bottom slab extending over joint with min 1-1/2 in. (38 mm) overlap onto floor surface and min 1/4 in. (6 mm) overlap onto wall surface. At wall assembly, steel plate bent 90 degrees to achieve overlap. Seams of steel cover plate shall overlap a min 1/2 in. (12.7 mm). Steel cover plate secured to floor surface with min 3/16 in. (5 mm) diam by 1-1/4 in. (32 mm) long steel concrete screws in conjunction with min 1-1/4 in. (32 mm) diam steel fender washers, min 0.145 in. (3.7 mm) diam by 1-1/4 in. (32 mm) long powder actuated fasteners in conjunction with min 1-1/4 in. (32 mm) diam steel fender washers, or min 0.145 in. (3.7 mm) diam by 3/4 in. (19 mm) long powder actuated fasteners in conjunction with min 1 in. (25 mm) diam steel fender washers. Fasteners are required on the floor surface and optional on wall surface. Max spacing of fasteners not to exceed 8 in. (203 mm) with additional fasteners located on each side of butted seams.

\* Indicates such products shall bear the UL or cUL Certification Mark for jurisdictions employing the UL or cUL Certification (such as Canada), respectively.



**Specified Technologies Inc. 210 Evans Way Somerville, NJ 08876**

Reproduced courtesy of Underwriters Laboratories, Inc.  
Created or Revised: January 18, 2019

(800)992-1180 • (908)526-8000 • FAX (908)231-8415 • E-Mail:techserv@stifirestop.com • Website:www.stifirestop.com



FW-S-0019  
PAGE 1 OF 1