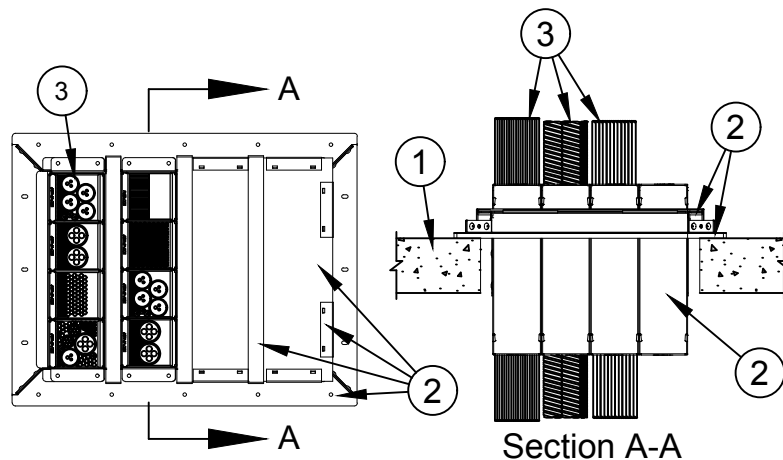


## System No. F-A-3068



ANSI/UL1479 (ASTM E814)	CAN/ULC S115
F Ratings - 2 and 3 Hr (See Item 1)	F Ratings - 2 and 3 Hr (See Item1)
T Ratings - 0 and 2 Hr (See Items 4 and 5)	FT Ratings - 0 and 2 Hr (See Items 4 and 5)
L Ratings At Ambient - Less than 1 to 2.3 CFM/Device Module (See Items 2, 6 & 7)	FH Ratings - 2 and 3 Hr (See Item 1)
L Rating At 400 F - Less than 1 to 2.3 CFM/Device Module (See Items 2, 6 & 7)	FTH Ratings - 0 and 2 Hr (See Items 4 and 5)
	L Rating At Ambient - Less than 0.47 to 1.1 L/s/Device Module (See Items 2, 6 & 7)
	L Rating At 204 °C - Less than 0.47 to 1.1 L/s/Device Module (See Items 2, 6 & 7)



1. **Floor Assembly** - Min 2-1/2 in. (63 mm) thick reinforced lightweight or normal weight (100-150 pcf or 1600-2400 kg/m3 ) concrete floor. Min 4-1/2 in. (114 mm) floor thickness required for 3 Hr F and FH Ratings.
2. **Firestop Device\*** - The range-taking Floor Grid System shall be installed in accordance with the accompanying installation instructions. The Floor Grid System provides one to four slots for mounting banks of four "ganged" firestop device modules and is made up of multiple steel components. End, side and splice brackets shall be secured together forming various rectangular Floor Grid Systems by means of bolts and nuts (provided) located at each corner. The Floor Grid System may be installed blank through the use of intumescent cover plates, steel clips and steel holders. The Floor Grid System shall be activated with optional rows of "ganged" firestop device modules. Optional "ganged" modules with holder plates shall be placed into open slots within the Floor Grid Systems and shall be secured to the steel frame through the use of bolts and nuts (provided). The frame of the Floor Grid System shall be installed with gasketing material (provided) and secured to the top surface of the floor through predrilled openings located on the floor brackets using min 3/16 in. (4.8 mm) diam by 1-1/4 in. long steel concrete screws. As an alternate to the steel concrete screws, min 1-1/4 in. (32 mm) long steel powder actuated fasteners provided with min 3/4 in. (19 mm) diam steel washers may be used. Each firestop device module consists of a 4 by 4-5/8 by 14 in. (102 by 118 by 356 mm) long galv steel tube with an intumescent material lining. Series 44 device modules have spring loaded steel retainer plates. Firestop device modules to be installed in accordance with the accompanying installation instructions. Four device modules are "ganged" together by means of an integral hook and eye window attachments. Two holder plates, one on each side of the four "ganged" modules, are to be attached to each end module using an integral hook and eye window attachment. The space between the firestop device and the periphery of the opening shall be min 0 in. (point contact) to max 1-1/4 in. (32 mm). The opening size and maximum number of pathway modules for each Floor Grid System shall be as shown in the following table:



**Specified Technologies Inc. 210 Evans Way Somerville, NJ 08876**

Reproduced courtesy of Underwriters Laboratories, Inc.

Created or Revised: October 30, 2018

(800)992-1180 • (908)526-8000 • FAX (908)231-8415 • E-Mail:techserv@stifirestop.com • Website:www.stifirestop.com



F-A-3068  
PAGE 1 OF 3

Part No.	Description	Max No. of Pathway Modules	Max Opening Size
EZDG444 or EZDG444S	Single Bank Floor Grid System	4	6 by 18 in. (15.2 by 45.7 cm)
EZDG444 or EZDG444S (up to 4 required)	Single Bank Floor Grid System With Splice Plate(s)	16	6 by 81 in. (15.2 by 205.7 cm)
EZG844, EZG844S, EZDG844 or EZDG844S	Double Bank Floor Grid System	8	12 by 18 in. (30.5 by 45.7 cm)
EZG1644, EZG1644S, EZDG1644 or EZDG1644S	Quad Bank Floor Grid System	16	24 by 18 in. (61.0 by 45.7 cm)

The L Ratings vary according to whether the device module is blank (no cables) or loaded (with cables) and which cable type and size is used, as tabulated below:

Max Visual Cable Fill	Cable Type	L-Rating, CFM/Device Module (L/s/Device Module)	
		Ambient	400 °F (204°C)
0%	-	Less Than 1 (0.47)	Less Than 1 (0.47)
1-25%	3A-3I	1.5 (0.71)	1.5 (0.71)
26-50%	3A-3I	2.3 (1.1)	2.3 (1.1)
51-75%	3A-3I	2.3 (1.1)	2.3 (1.1)
76-100%	3A-3I	2.3 (1.1)	2.3 (1.1)

**SPECIFIED TECHNOLOGIES INC - EZ PATH Series 44 or Series 44+ Fire Rated Pathway**

- 2A. **Firestop Device\* - Extension Module** - (Optional, Not Shown) - Module attached to ends of firestop device module (Item 2) to increase its length to facilitate installation in thicker floors. Each module consists of a 4 by 4-5/8 by 6 in. (102 by 118 by 152 mm) long galv steel tube with an intumescent material lining. Extension module to be installed in accordance with the accompanying installation instructions.

**SPECIFIED TECHNOLOGIES INC - EZ PATH Series 44+ Extension**

3. **Cables** - Cables may represent a 0 to 100 percent visual fill within the loading area for the firestop device modules. Cables to be rigidly supported on both sides of the floor assembly. Any combination of the following types of cables may be used:
- A. Max 400 pair No. 24 AWG (or smaller) copper conductor telecommunication cable with polyvinyl chloride (PVC) or plenum-rated jacketing and insulation.
  - B. Max 750 kcmil single copper conductor power cable with XLPE jacket and insulation or plenum-rated jacketing and insulation.
  - C. Max 7/C No. 12 AWG copper conductor control cable with PVC or XLPE jacket and insulation or plenum-rated jacketing and insulation.
  - D. Max 3/C No. 2/0 AWG metal clad or armored cable with steel or aluminum jacket.
  - E. Max 3/C No. 8 AWG NM cable (Romex) with PVC insulation and jacket or plenum-rated jacketing and insulation.
  - F. Max four pair No. 22 AWG (or smaller) copper conductor data cable with PVC or plenum rated jacketing and insulation.
  - G. Coaxial cable with fluorinated ethylene or PVC insulation and jacketing or plenum rated jacketing and insulation having a max diam of 5/8 in. (16 mm).
  - H. Optical fiber cable with PVC or polyethylene (PE) jacket and insulation or plenum rated jacketing and insulation and having a max diam of 5/8 in. (16 mm).
  - I. Max RG6/U coaxial cable with fluorinated ethylene, polyethylene (PE), PVC or plenum rated jacketing and insulation.



**Specified Technologies Inc. 210 Evans Way Somerville, NJ 08876**

Reproduced courtesy of Underwriters Laboratories, Inc.  
Created or Revised: October 30, 2018

(800)992-1180 • (908)526-8000 • FAX (908)231-8415 • E-Mail:techserv@stifirestop.com • Website:www.stifirestop.com



F-A-3068  
PAGE 2 OF 3

4. **Firestop Device\*** - Not Shown - Optional - Nom 1-1/2 in. ( 38 mm) thick blanket to be installed in accordance with the accompanying installation instructions. Blanket tightly wrapped around grouped cables and pathway devices to extend 36 in. (914 mm) above floor and secured with integral closure straps.

**SPECIFIED TECHNOLOGIES INC** - EZ PATH TRK444 Grid T Rating Kit

5. **Duct Wrap Material\*** - Not Shown - Optional, for use in lieu of item 4 - Nom 1-1/2 in. ( 38 mm) thick duct wrap tightly wrapped around grouped cables and pathway devices to extend 36 in. (914 mm) above floor. All longitudinal seams of duct wrap to be sealed with foil tape.

**UNIFRAX I LLC** - FyreWrap Elite 1.5 Duct Insulation

**NOTE: When Item 4 or 5 is used the T, FT and FTH Ratings are 2 hr. Otherwise, the T, FT and FTH Ratings are 0 hr.**

6. **Fill, Void or Cavity Material\* - Sealant** - (Optional, Not Shown) Bead of fill material applied over all seams, gaps, and fasteners present in range-taking Floor Grid System. Additional bead of fill material applied around perimeter of range-taking Floor Grid System to cover insulation gasket compressed between steel plate and floor. L Rating applies only when fill material is used. The fill material may be used alone or in conjunction with Item 7 to provide L Ratings.

**SPECIFIED TECHNOLOGIES INC** - SpecSeal Series SSS Sealant, SpecSeal LCI Sealant, SpecSeal LC 150 Sealant, or SpecSeal SIL300 Sealant.

7. **Aluminum Foil Tape** - (Optional, Not Shown) - Nom 3 mil (0.08 mm) thick pressure sensitive aluminum foil tape applied around the perimeter of range-taking Floor Grid System, at the seams between the blank intumescent cover plates and range-taking Floor Grid System, over screws and at the seams between the range-taking Floor Grid System and firestop device modules. L Rating applies only when aluminum foil tape is used. The aluminum foil tape may be used as an option to or in conjunction with Item 6 to provide L Ratings.

**\* Indicates such products shall bear the UL or cUL Certification Mark for jurisdictions employing the UL or cUL Certification (such as Canada), respectively.**

+Bearing the UL Listing Mark



**Specified Technologies Inc. 210 Evans Way Somerville, NJ 08876**

Reproduced courtesy of Underwriters Laboratories, Inc.

Created or Revised: October 30, 2018

(800)992-1180 • (908)526-8000 • FAX (908)231-8415 • E-Mail:techserv@stifirestop.com • Website:www.stifirestop.com



F-A-3068

PAGE 3 OF 3