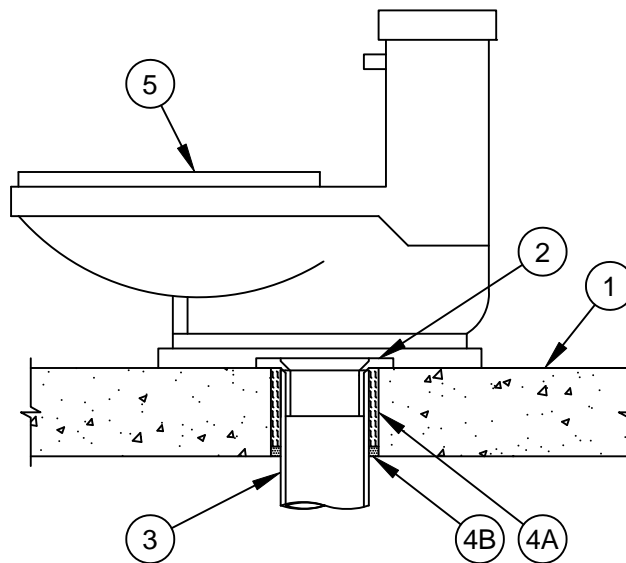


System No. F-A-1179



| | |
|---|--|
| ANSI/UL1479 (ASTM E814) | CAN/ULC S115 |
| F Rating - 2 Hr | F Rating -2 Hr |
| T Rating - 2 Hr | FT Rating - 2 Hr |
| L Rating At Ambient - Less Than 1 CFM/ft2 | FH Rating - 2 Hr |
| L Rating At 400 F - Less Than 1 CFM/ft2 | FTH Rating - 2 Hr |
| | L Rating At Ambient - Less Than 5.1 L/s/m2 |
| | L Rating At 204 C - Less Than 5.1 L/s/m2 |



1. **Floor Assembly** - Min 4-1/2 in. (114 mm) thick reinforced lightweight or normal weight (100-150 pcf or 1600-2400 kg/m³) concrete floor. Max diam of opening is 5-1/2 in. (140 mm).
2. **Toilet Flange** - Cast iron toilet flange sized to fit 3 in. (76 mm) diam drain piping. Flange secured to top surface of floor with closet bolts.
3. **Metallic Pipe** - One metallic pipe installed within the opening. The annular space shall be min 3/8 in. (10 mm). Metallic pipe to be rigidly supported on both sides of floor assembly. The following types and sizes of metallic pipe may be used:
 - A. **Steel Pipe** - Nom 3 in. (76 mm) diam (or smaller) Schedule 5 (or heavier) steel pipe.
 - B. **Iron Pipe** - Nom 3 in. (76 mm) diam (or smaller) cast or ductile iron pipe.
4. **Firestop System** - The firestop system consists of the following items:
 - A. **Packing Material** - Min 4 in. (102 mm) thickness of min 4 pcf (64 kg/m³) density mineral wool batt insulation tightly-packed into annular space. Packing material recessed from bottom surface of floor assembly as required to accommodate fill material (Item 4B).
 - B. **Fill, Void or Cavity Material* - Sealant** - Min 1/2 in. (13 mm) thickness of fill material applied within annulus, flush with bottom surface of floor.

SPECIFIED TECHNOLOGIES INC - SpecSeal Series SSS Sealant or SpecSeal LCI Sealant
5. **Water Closet** - Floor mounted vitreous china water closet.

*Indicates such products shall bear the UL or cUL Certification Mark for jurisdictions employing the UL or cUL Certification (such as Canada), respectively.



Specified Technologies Inc. 210 Evans Way Somerville, NJ 08876

Reproduced courtesy of Underwriters Laboratories, Inc.
Created or Revised: July 18, 2018

