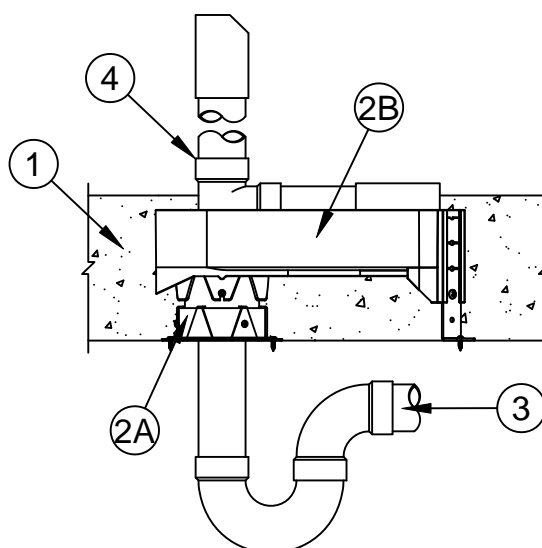


System No. F-A-1172



ANSI/UL1479 (ASTM E814)	CAN/ULC S115
F Rating - 3 Hr	F Rating - 3 Hr
T Rating - 0 Hr	FT Rating - 0 Hr
	FH Rating - 3 Hr
	FTH Rating - 0 Hr



1. **Floor Assembly** - Min 4-1/2 in. (114 mm) thick reinforced lightweight or normal weight (100-150 pcf or 1600-2400 kg/m³) concrete floor.
2. **Firestop System** - The firestop system shall consist of the following:
 - A. **Firestop Device*** - Cast in place firestop device permanently embedded during concrete placement or grouted in concrete assembly in accordance with accompanying installation instructions. Cast in place firestop device installed flush with the bottom surface of the floor and trimmed 3 in. (76 mm) below the top surface of the floor.
SPECIFIED TECHNOLOGIES INC - CD201T Cast In Firestop Device
 - A1. **Firestop Device*** - As an alternate to Item 2A when the concrete floor slab thickness equals or exceeds 7 in. (178 mm), cast in place firestop device permanently embedded during concrete placement or grouted in concrete assembly in accordance with accompanying installation instructions. Cast in place firestop device installed flush with the bottom surface of the floor and trimmed 3 in. (76 mm) below the top surface of the floor.
SPECIFIED TECHNOLOGIES INC - CD201, CD201C, CD202, CD202C, CD203, CD203C, CD301, CD301C, CD302, CD302C, CD303, CD303C Cast In Firestop Device
 - B. **Firestop Device* - Tub Box*** - Nom 9-5/8 by 12-3/4 by 3 in. (244 by 324 by 76 mm) polypropylene (PP) tub box, with adjustable legs, secured to top of Cast In Firestop Device (Item 2A or 2A1) and cast into concrete slab, flush with top surface of floor.
SPECIFIED TECHNOLOGIES INC - CD23T



Specified Technologies Inc. 210 Evans Way Somerville, NJ 08876

Reproduced courtesy of Underwriters Laboratories, Inc.
Created or Revised: February 26, 2018



3. **Drain Piping** - Nom 1-1/2 in. (38 mm), 2 in. (51 mm), 2-1/2 in. (64 mm) or 3 in. (76 mm) diam Schedule 40 steel pipe and drain fittings. See table below for appropriate cast in place firestop device based on drain piping diam.

Nom Pipe Diam	Firestop Device (a)
1-1/2 or 2 in. (38 or 51 mm)	CD201T
1-1/2 or 2 in. (38 or 51 mm)	CD201, CD201C, CD202, CD202C, CD203, CD203C
2-1/2 or 3 in. (64 or 76 mm)	CD301, CD301C, CD302, CD302C, CD303, CD303C

(a) When Firestop Device CD201, CD201C, CD202, CD202C, CD203, CD203C, CD301, CD301C, CD302, CD302C, CD303 or CD303C are used, the concrete thickness (See Item 1) shall be min 7 in. (178 mm).

- 3A. **Alternate Drain Piping - (Optional - Not Shown)** - Cast iron P trap secured to PVC waste/overflow fitting with a compression coupling. Drain piping rigidly supported away from tub box with suitable hangers.
4. **Waste/Overflow Fitting** - Nom 1-1/2 in. (38 mm), 2 in. (51 mm), 2-1/2 in. (64 mm) or 3 in. (76 mm) diam waste/overflow fitting, formed of polyvinyl chloride (PVC).

*** Indicates such products shall bear the UL or cUL Certification Mark for jurisdictions employing the UL or cUL Certification (such as Canada), respectively.**



Specified Technologies Inc. 210 Evans Way Somerville, NJ 08876

Reproduced courtesy of Underwriters Laboratories, Inc.
Created or Revised: February 26, 2018

(800)992-1180 • (908)526-8000 • FAX (908)231-8415 • E-Mail:techserv@stifirestop.com • Website:www.stifirestop.com



F-A-1172
PAGE 2 OF 2