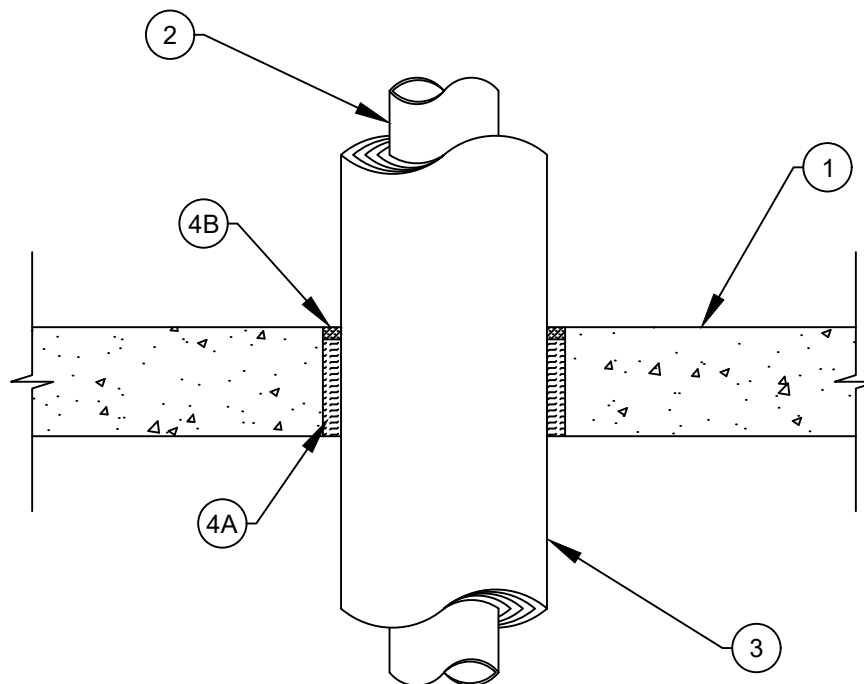




ANSI/UL1479 (ASTM E814)	CAN/ULC S115
F Rating - 2 Hr	F Rating - 2 Hr
T Rating - 2 Hr	FT Rating - 2 Hr
	FH Rating - 2 Hr
	FTH Rating - 2 Hr



1. **Floor or Wall Assembly** - Min 4-1/2 in. (114 mm) thick reinforced lightweight or normal weight (100-150 pcf or 1600-2400 kg/m³) concrete floor or min 5 in. (127 mm) thick reinforced lightweight or normal weight (100-150 pcf or 1600-2400 kg/m³) concrete wall. Floor may also be constructed of any min 6 in. (152 mm) thick UL Classified hollow-core **Precast Concrete Units***. Wall may also be constructed of any UL Classified **Concrete Blocks***. Max diam of opening is 10 in. (254 mm). Max diam of opening in floor constructed of hollow-core precast concrete units is 7 in. (178 mm). See **Concrete Blocks (CAZT)** and **Precast Concrete Units (CFTV)** categories in the Fire Resistance Directory for names of manufacturers.
2. **Through Penetrants** - One metallic pipe to be installed either concentrically or eccentrically within the firestop system. Pipe to be rigidly supported on both sides of floor or wall assembly. The following types and sizes of metallic pipes may be used:
 - A. **Steel Pipe** - Nom 4 in. (102 mm) diam (or smaller) Schedule 40 (or heavier) steel pipe.
 - B. **Iron Pipe** - Nom 4 in. (102 mm) diam (or smaller) cast or ductile iron pipe.
- 2A. **Through Penetrants** - (Not Shown) As an option to Item 2, a pipe system may consist of an inner pipe and an outer containment pipe of the same material acceptable in Item 2, as long as the outer containment pipe meets the criteria of Item 2.
3. **Pipe Coverings - Fire-resistant Pipe-protection Materials* - Wrap** - Nom 0.5 in. (12.7 mm) flexible sheet material. A min of four layers of wrap are required. All seams in each layer of wrap to be sealed with foil tape. Wrap layers secured in place with 16 ga. steel tie wire on outermost layer.
SPECIFIED TECHNOLOGIES INC - E-Wrap Endothermic Wrap



Specified Technologies Inc. 210 Evans Way Somerville, NJ 08876

Reproduced courtesy of Underwriters Laboratories, Inc.
Created or Revised: October 12, 2021

(800)992-1180 • (908)526-8000 • FAX (908)231-8415 • E-Mail:techserv@stifirestop.com • Website:www.stifirestop.com



4. **Firestop System** - The firestop system shall consist of the following:

- A. **Packing Material** - Min 4 in. (102 mm) thickness of min 4 pcf (64 kg/m³) mineral wool batt insulation compressed and firmly packed within annular space. Packing material to be recessed from top surface of floor or from both surfaces of wall to accommodate the required thickness of fill material (Item 4B).
- B. **Fill, Void or Cavity Material* - Sealant** - Min 1/2 in. (13 mm) thickness of fill material applied within the annulus, flush with top surface of floor or with both surfaces of wall. When min annular space is less than 1/2 in. (13 mm), fill material to be installed to min 1 in. (25 mm) thickness.

SPECIFIED TECHNOLOGIES INC - SpecSeal Putty, SpecSeal Series SSS Sealant, or SpecSeal LCI Sealant

* Indicates such products shall bear the UL or cUL Certification Mark for jurisdictions employing the UL or cUL Certification (such as Canada), respectively.



Specified Technologies Inc. 210 Evans Way Somerville, NJ 08876

Reproduced courtesy of Underwriters Laboratories, Inc.

Created or Revised: October 12, 2021

(800)992-1180 • (908)526-8000 • FAX (908)231-8415 • E-Mail:techserv@stifirestop.com • Website:www.stifirestop.com



C-AJ-5437
PAGE 2 OF 2