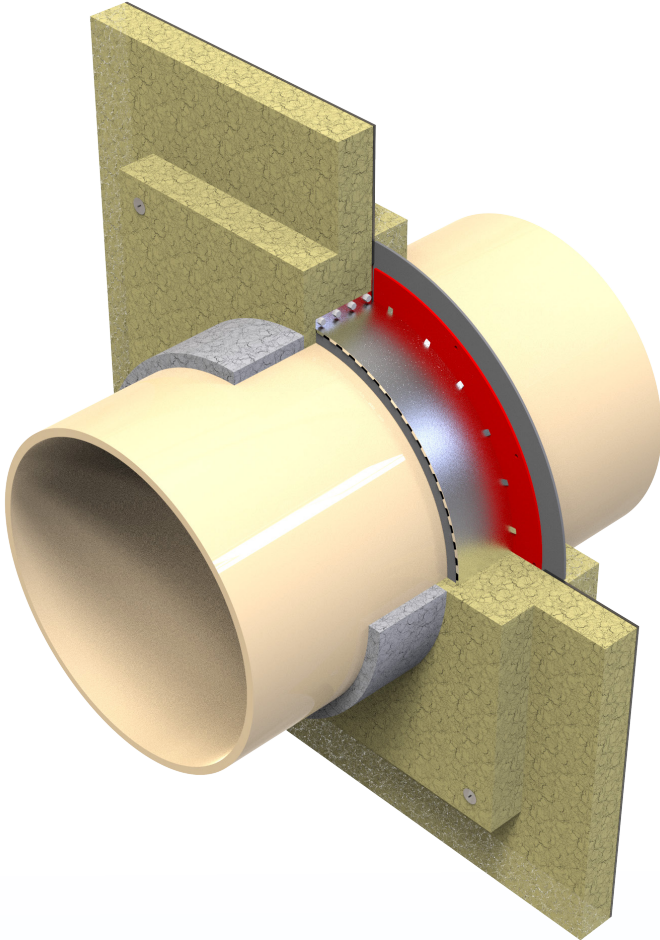


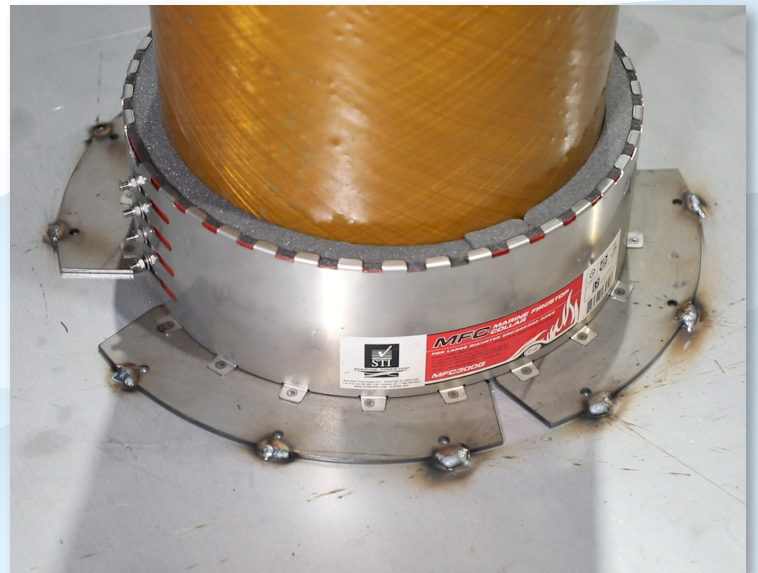
Planning a Scrubber Upgrade with Large Diameter FRP/GRE/GRP Pipes?

See how our MFC-G Large Diameter FRP/GRE/GRP Collars can save you time and money!



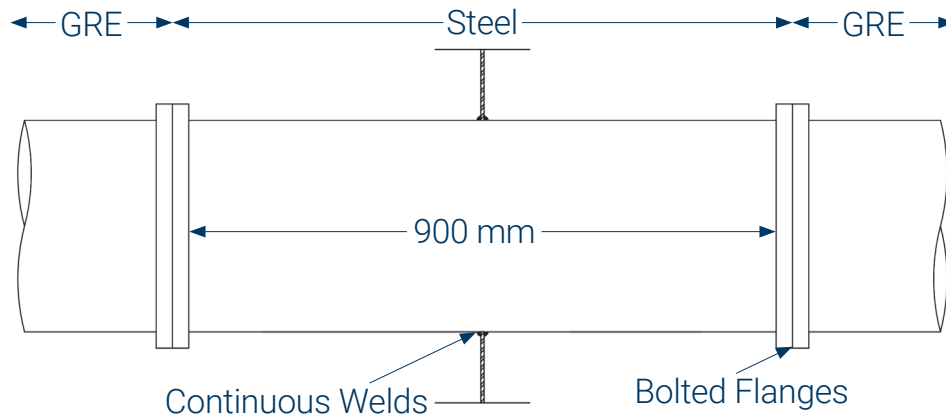
- Fits most composite pipes from 300 mm to 700 mm
- Watertight when used with MFS Sealant
- Quickly attach to division with screws or welds
- Flexible intumescent liners accommodate irregular pipe surfaces
- Resistant to aging and weathering

**Don't Compromise.
Use MFC-G collars for
protecting composite piping.**



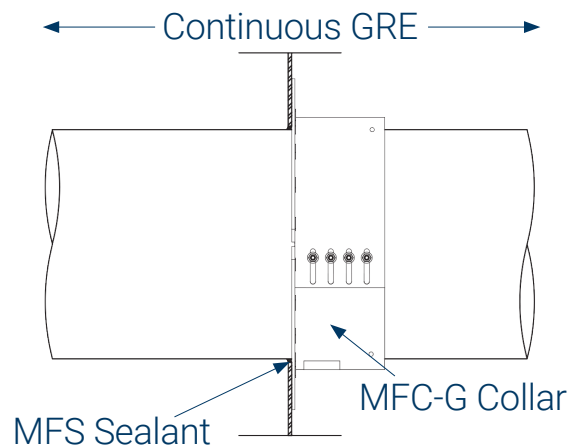
Consider the advantages of the MFC-G Collar over conventional methods

Conventional Method with Steel Pipe Transition



MFC-G Collar with Continuous Composite Pipe

Reduce cost up to 40%



Reduce installation time up to 60%

- **Run Composite Pipe Continuously** - Reduce the number of composite pipe sections and coupling flanges
- **Reduce Maintenance** - Continuous composite pipe eliminates periodic maintenance of the steel pipe section
- **Simplify Logistics** - Collar installation may be done independent of the pipe installation, eliminating staging conflicts
- **Reduce Weight** - Our largest collar is only 14 kg, offering a lightweight alternative to sections of steel pipe weighing several hundred kg
- **Easy to Install** - Lightweight, split design allows for easy installation and adjustment
- **Reduce Welding** - Secure to division from one side via stitch welds or screws, as opposed to continuously welding steel pipe on both sides